

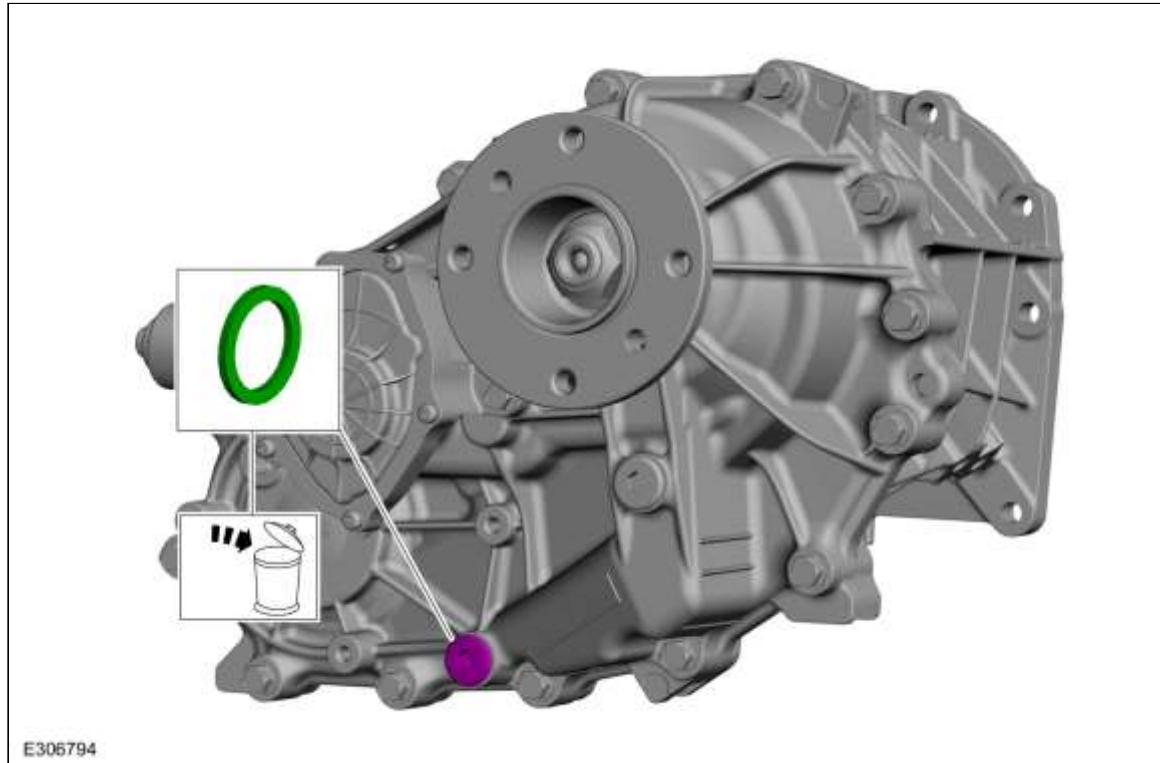
Transfer Case Draining and Filling

Materials

| Name | Specification |
|----------------------------------------------------------------|-----------------------------|
| Motorcraft® MERCON® LV Automatic Transmission Fluid XT-10-QLVC | WSS-M2C938-A MERCON® LV, |

Draining

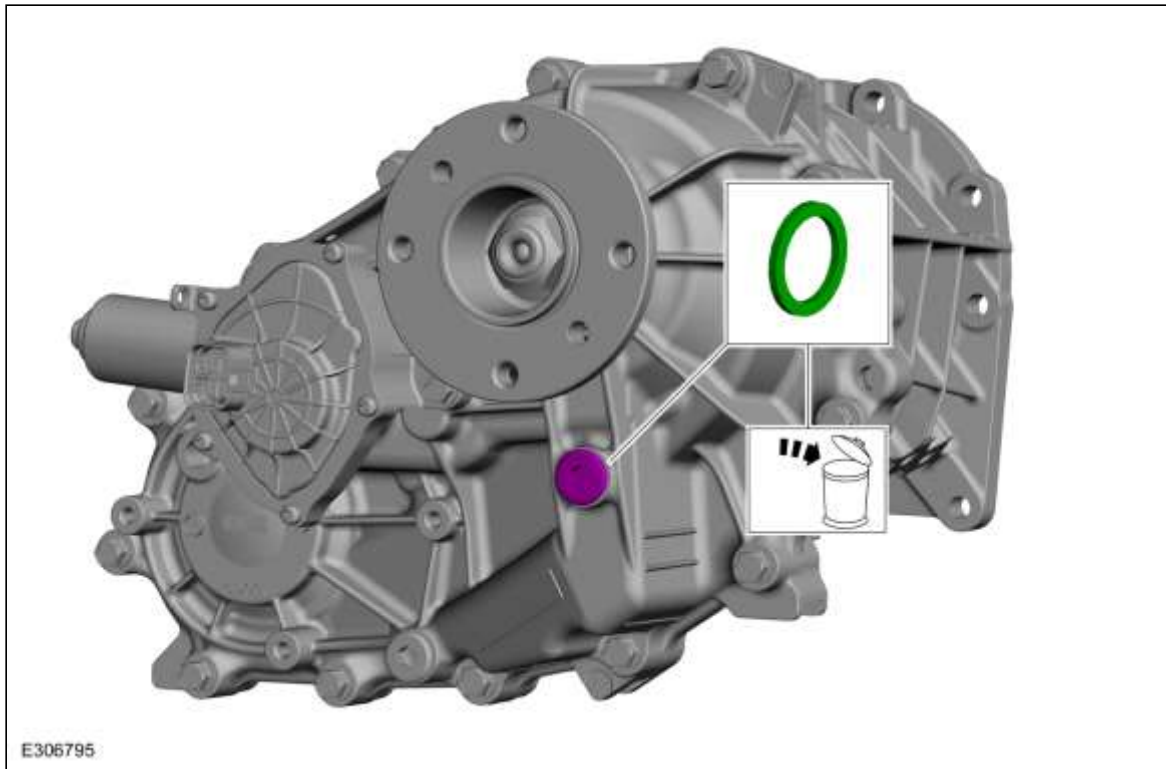
1. With the vehicle in NEUTRAL, position it on a hoist.
Refer to: [Jacking and Lifting](#) (100-02 Jacking and Lifting, Description and Operation).
2.
 1. Remove the drain plug and drain the fluid.
 2. Install the drain plug with new seal.
Torque: 18 lb.ft (25 Nm)



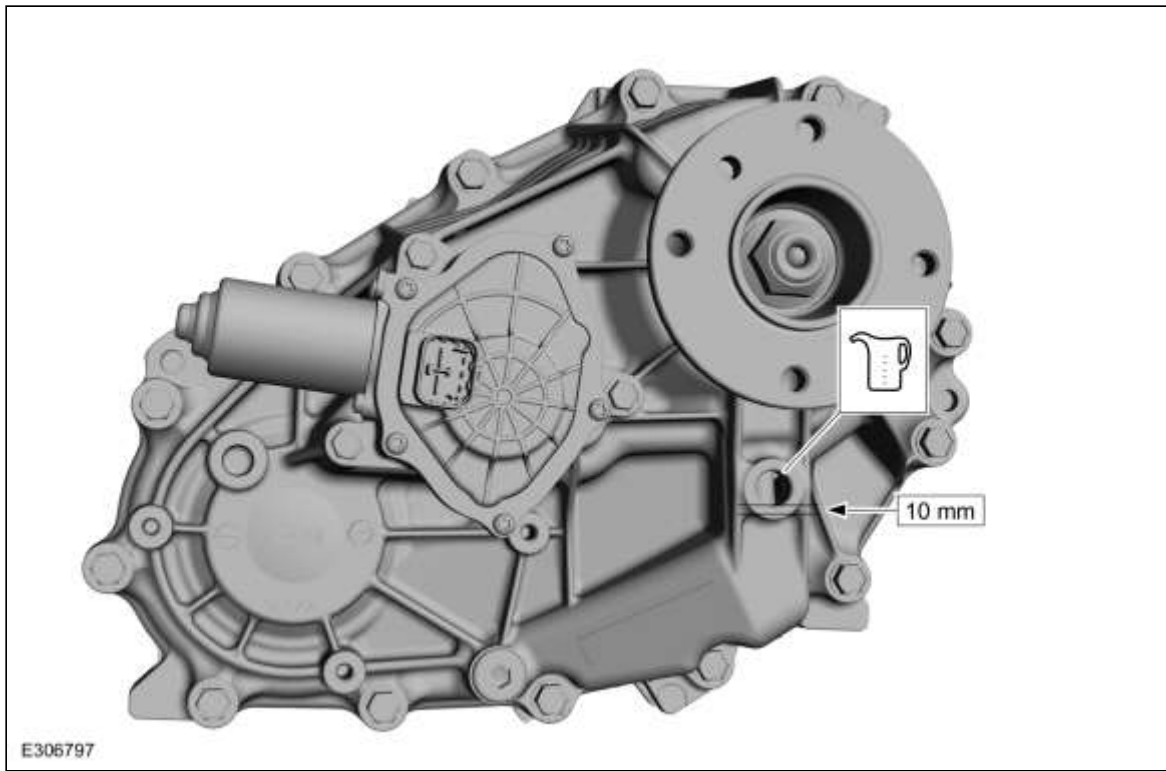
Filling

1. Remove the fill plug and discard the seal.

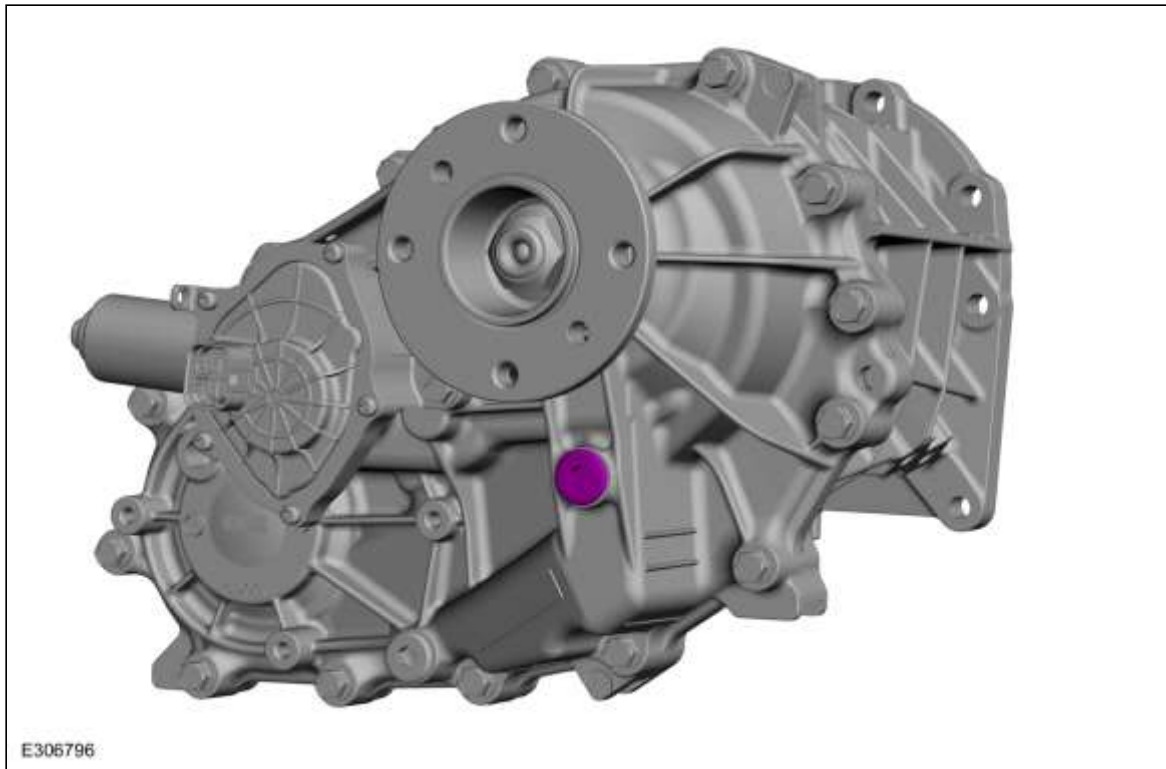




2. Fill the transfer case with 1.2L of clean fluid. The transfer case fluid must be within 10mm (0.393 in) below the fill plug hole.
Material: Motorcraft® MERCON® LV Automatic Transmission Fluid / XT-10-QLVC (WSS-M2C938-A) (MERCON® LV,)



3. Install the fill plug.
Torque: 18 lb.ft (25 Nm)



E306796

© Copyright 2021, Ford Motor Company.