

Transmission Support Insulator

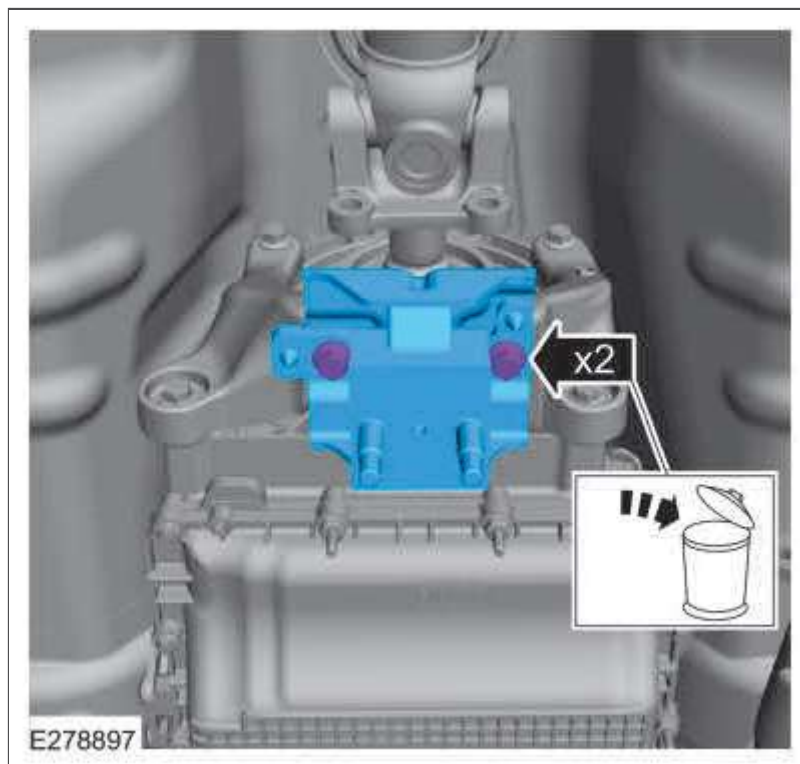
Base Part Number: 7M121

Removal

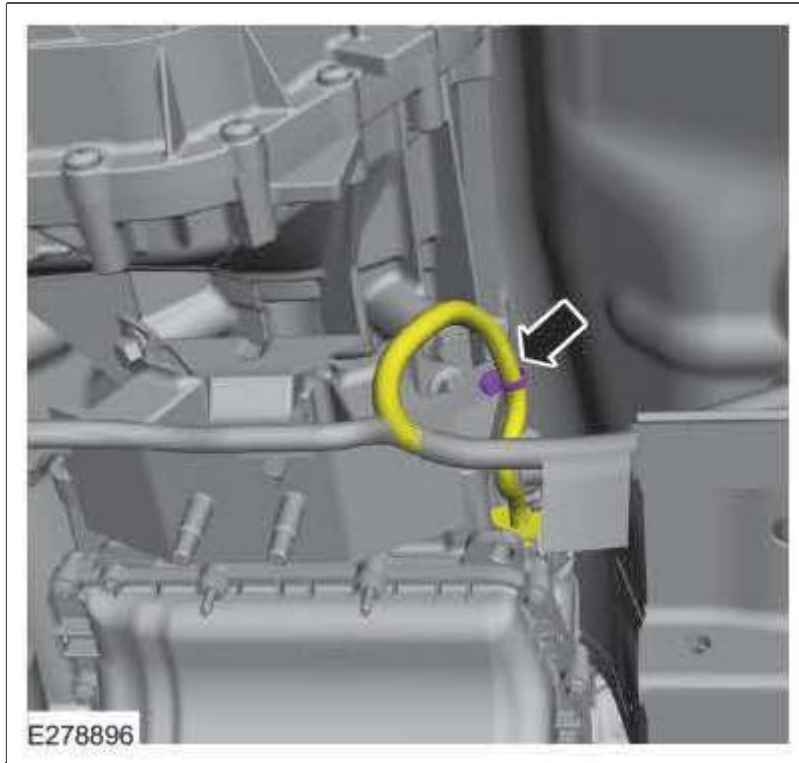
1. Remove the transmission support crossmember.
Refer to: [Transmission Support Crossmember](#) (502-02 Full Frame and Body Mounting, Removal and Installation).
Refer to: Transmission Support Crossmember - Raptor (502-02) .

Rear Wheel Drive (RWD) vehicles

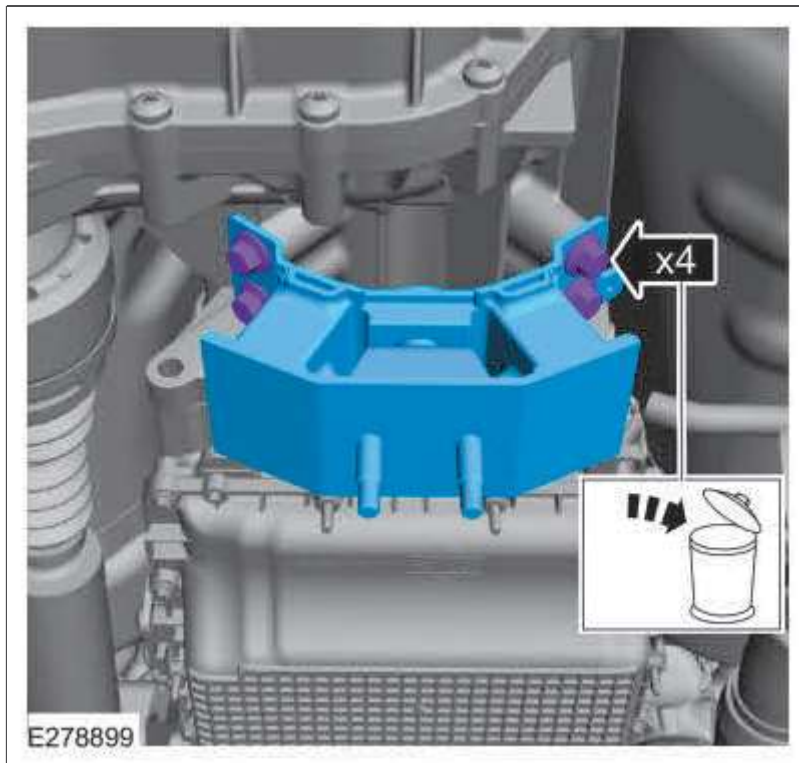
2. Remove and discard the bolts (W505276) and remove the transmission support insulator.

**Four-Wheel Drive (4WD) vehicles**

3. Disconnect the harness retainer.

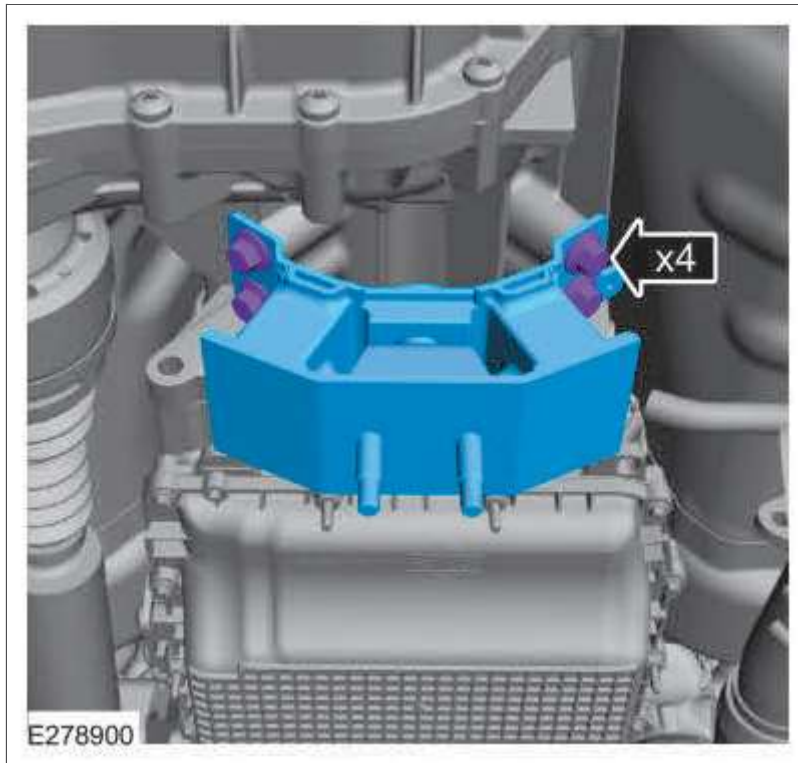


- 4. Remove and discard the bolts (W500642) and remove the transmission support insulator.

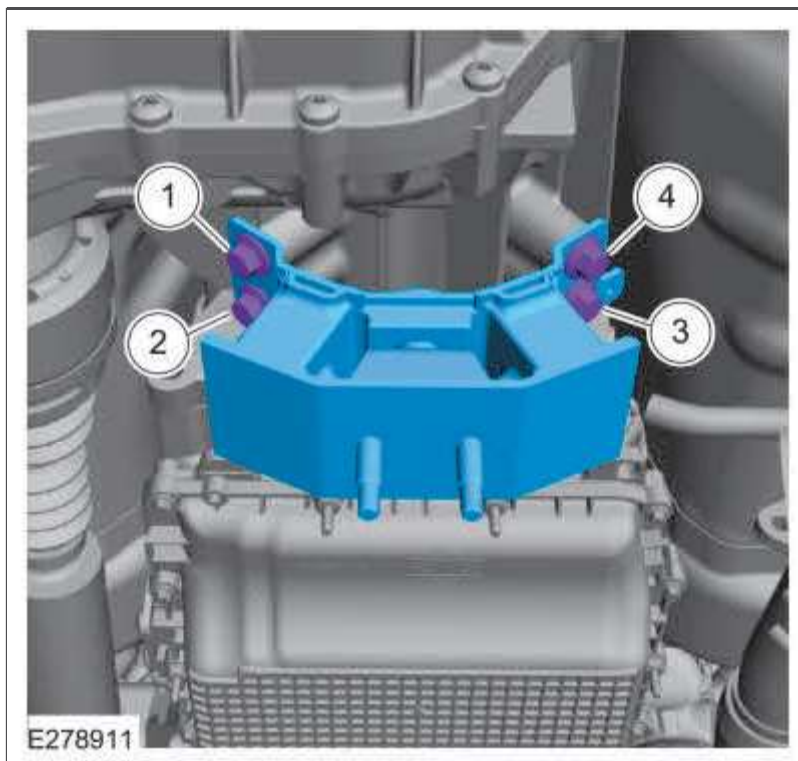


Installation

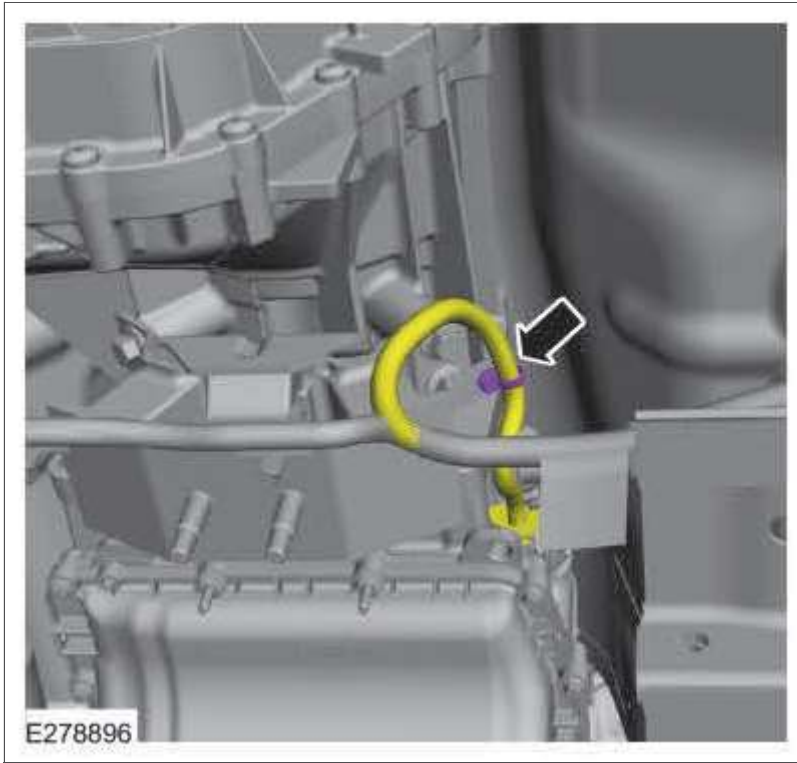
1. Loosely install the new transmission support insulator bolts.



2. Tighten the transmission support insulator bolts in the sequence shown.
Torque: 66 lb.ft (90 Nm)



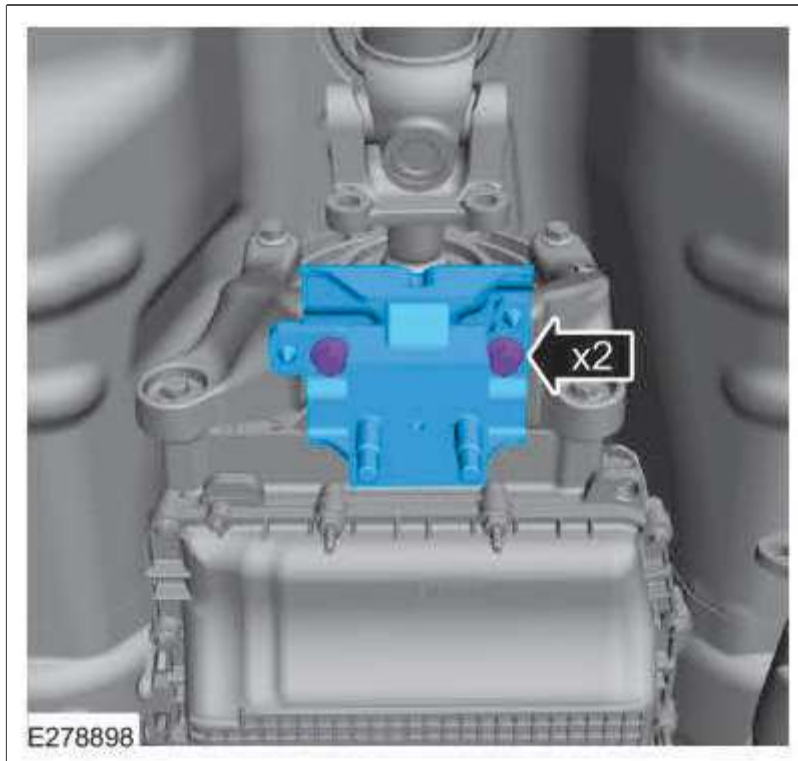
3. Connect the harness retainer.



Rear Wheel Drive (RWD) vehicles

4. Install the transmission support insulator and the new bolts.
Torque: 41 lb.ft (55 Nm)





All vehicles

5. Install the transmission support crossmember.
Refer to: [Transmission Support Crossmember](#) (502-02 Full Frame and Body Mounting, Removal and Installation).
Refer to: Transmission Support Crossmember - Raptor (502-02) .

Copyright © 2019 Ford Motor Company
