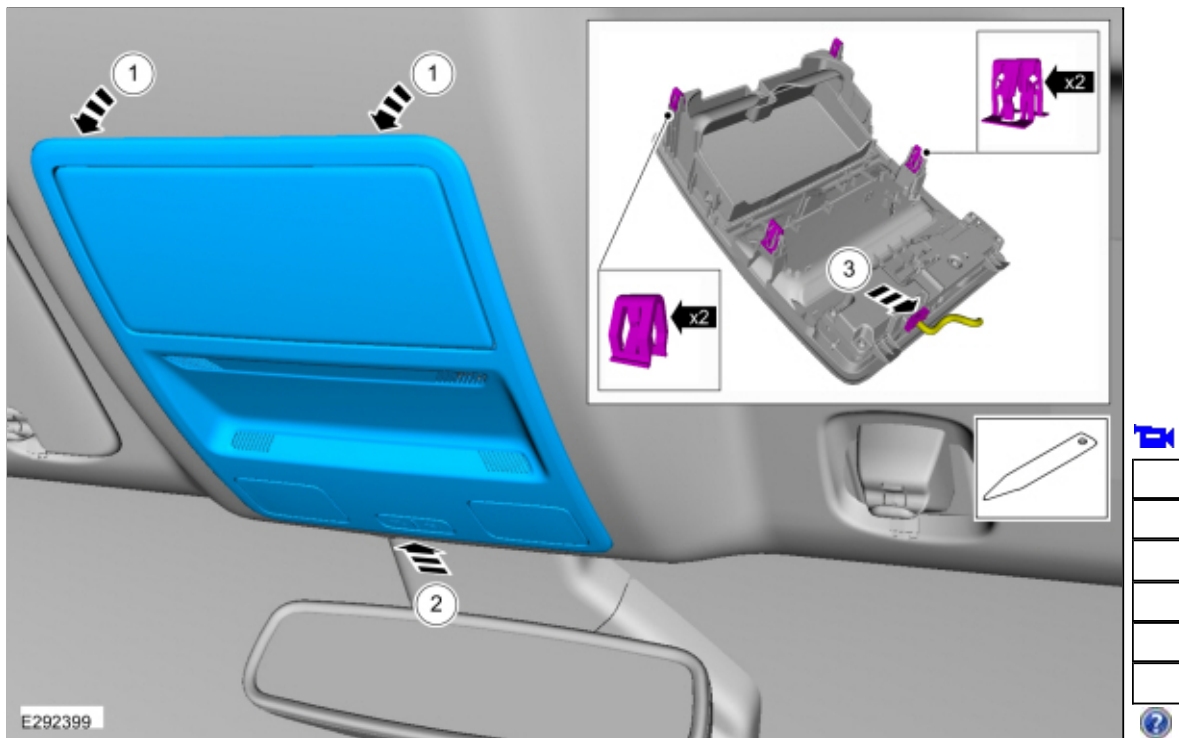


## Overhead Console

### Removal

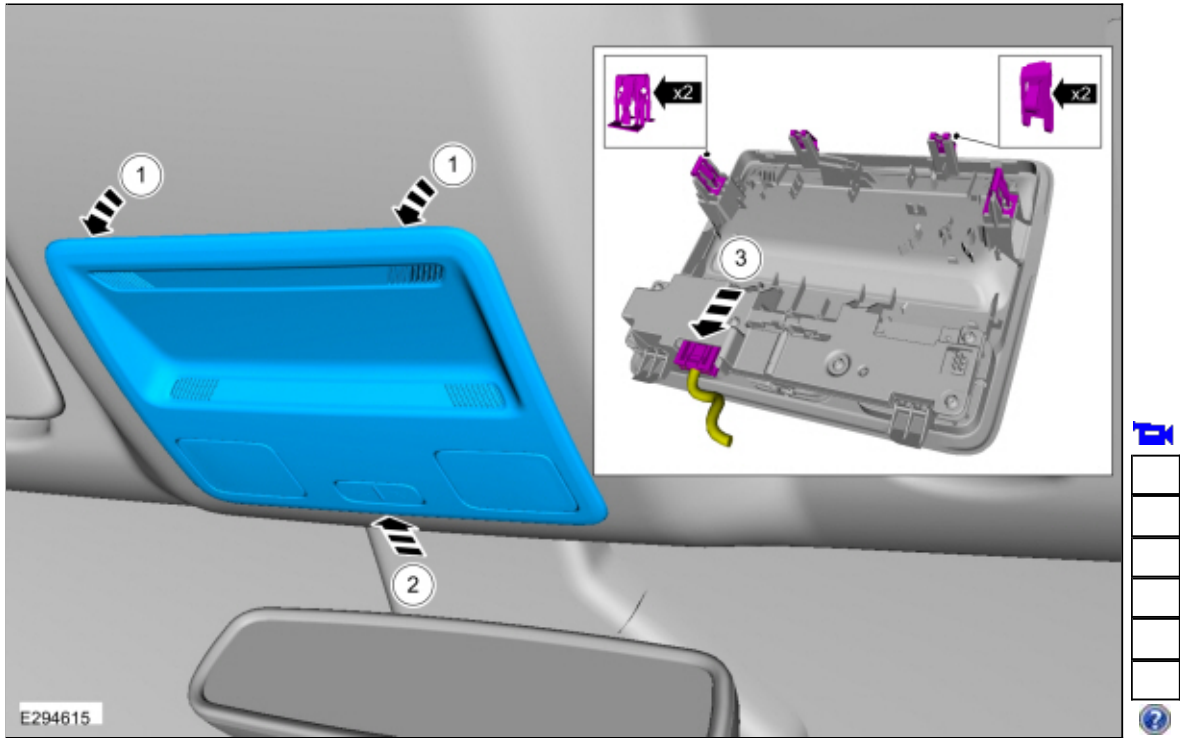
#### Vehicles with long console

1. Remove the overhead console.
  1. Release the clips at the rear and middle of the overhead console.
  2. Pull the overhead console rearward to remove.
  3. Disconnect the electrical connector.



#### Vehicles with short console

2. Remove the overhead console.
  1. Release the clips at the rear and middle of the overhead console.
  2. Pull the overhead console rearward to remove.
  3. Disconnect the electrical connector.



### Installation

1. To install, reverse the removal procedure.

Copyright © 2020 Ford Motor Company

