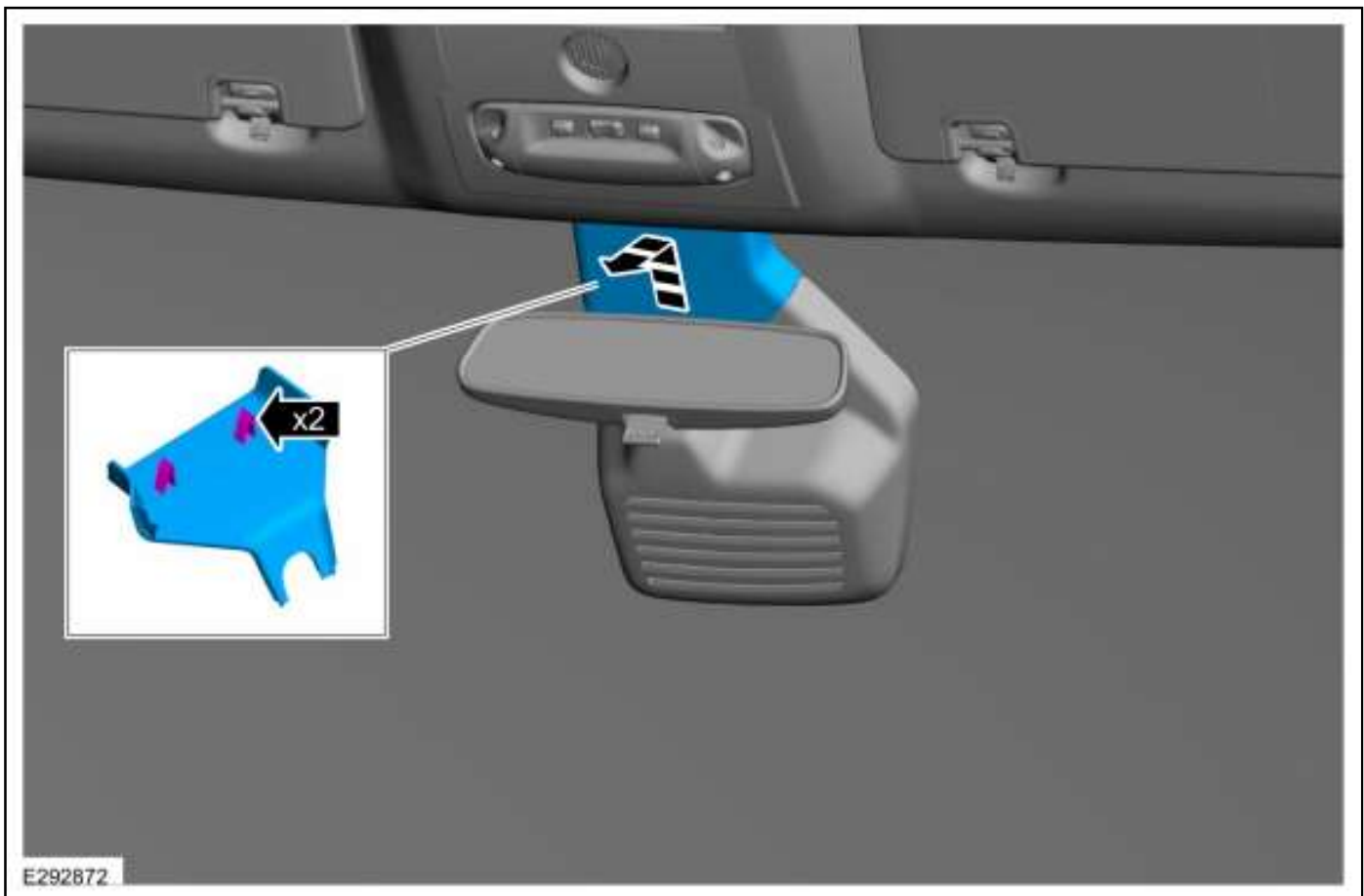


## Image Processing Module A (IPMA)

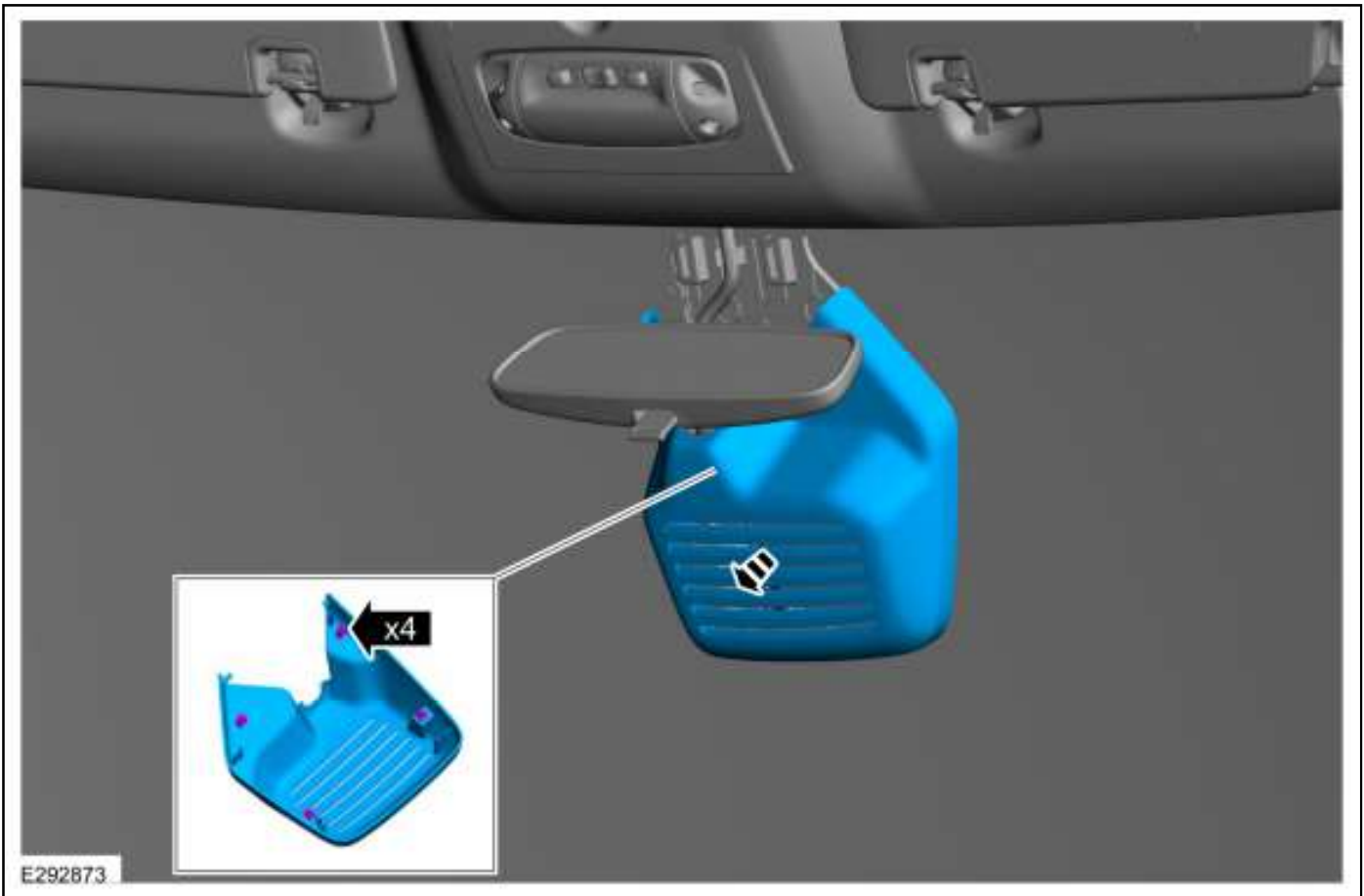


### Removal

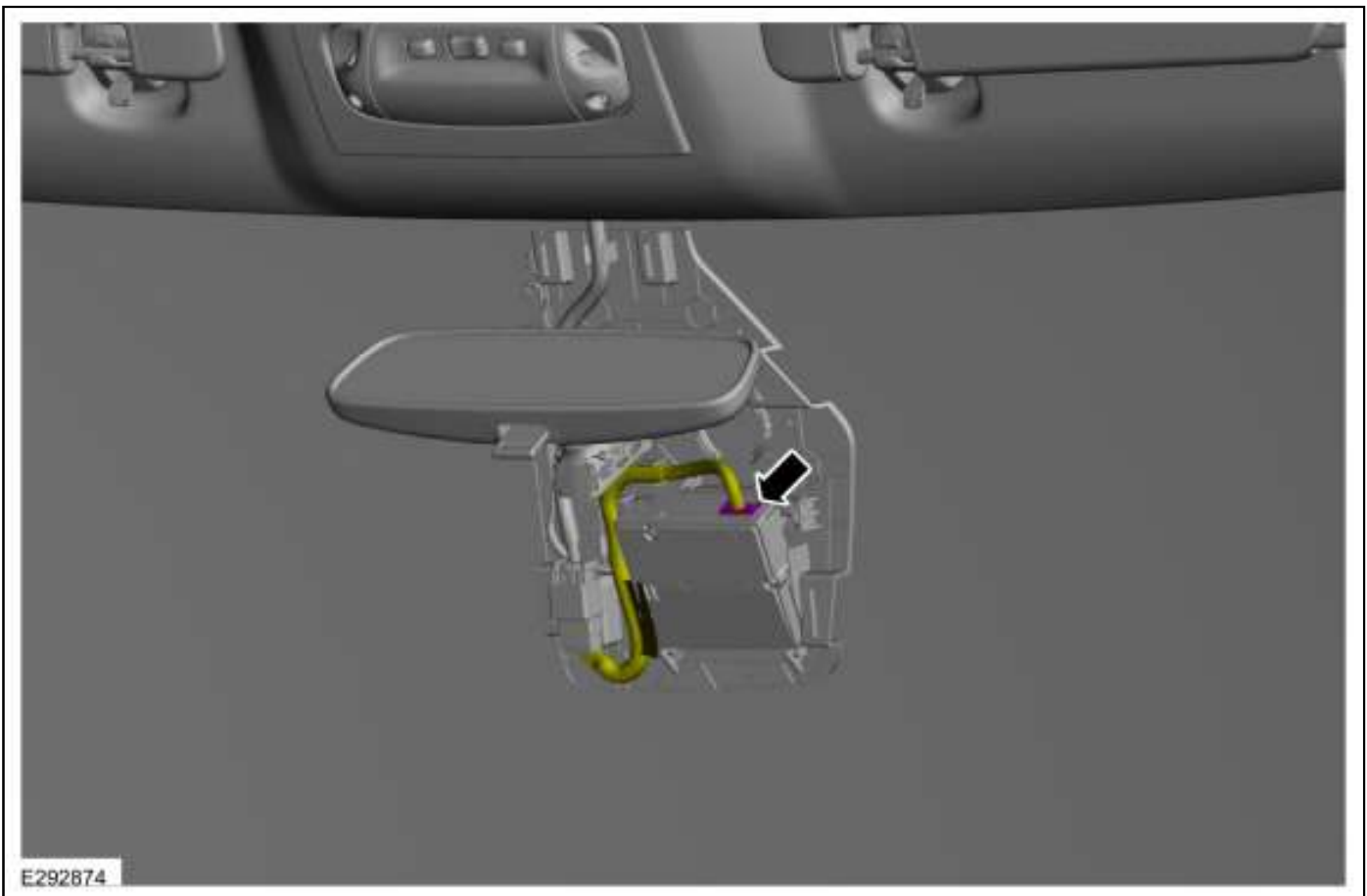
1. If a new IPMA is being installed, using a diagnostic scan tool, begin the PMI process for the IPMA following the on-screen instructions.
2. Release the tabs and remove the upper rain sensor cover.



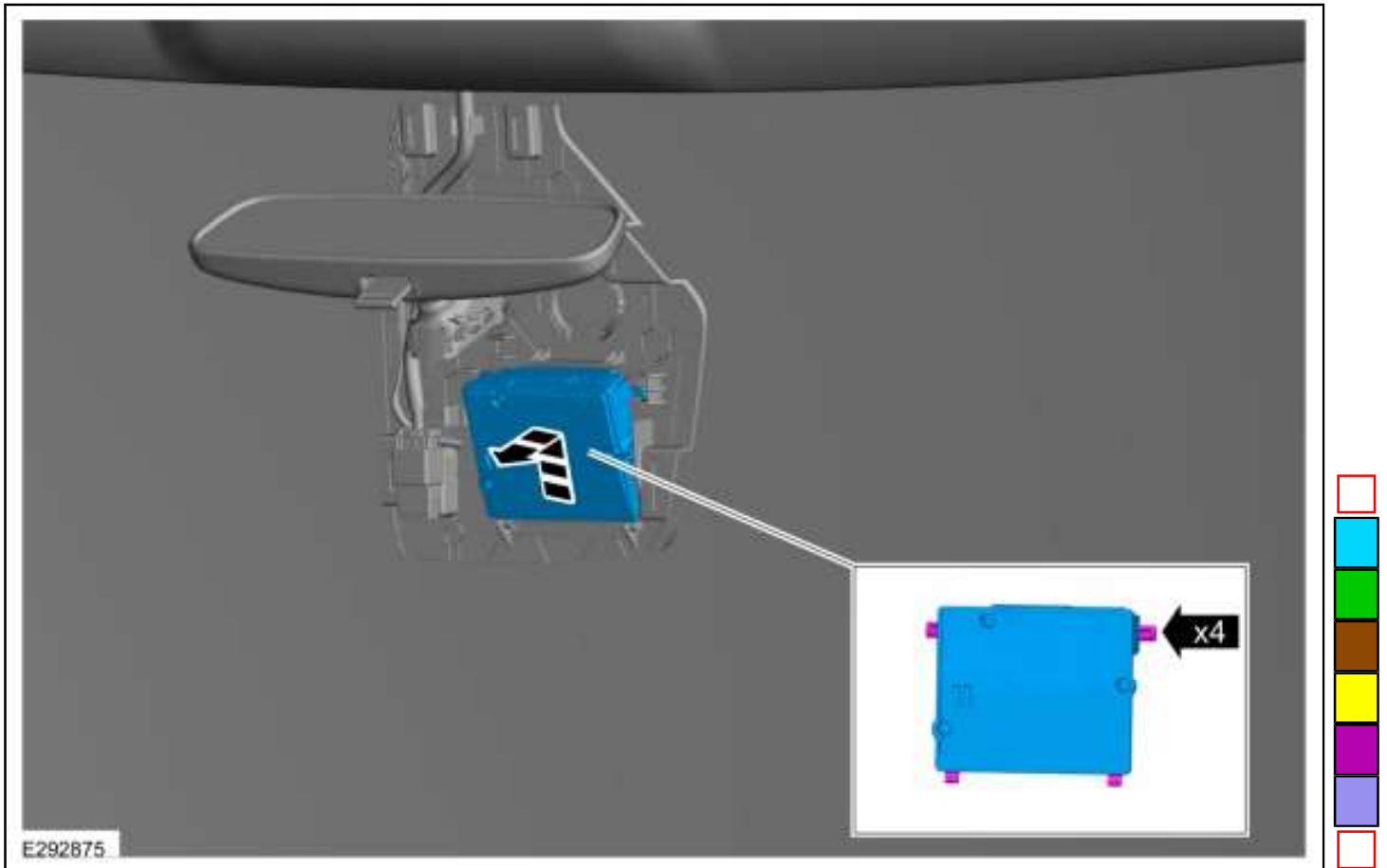
3. Release the tabs and remove the lower rain sensor cover.



4. Disconnect the electrical connector.



5. Release the tabs and remove the IPMA.



## Installation

1. To install, reverse the removal procedure.
2.
  - If a new IPMA has been installed, using a diagnostic scan tool, complete the PMI process for the IPMA following the on-screen instructions.
  - If a new IPMA has been installed, carry out the camera alignment using a scan tool.