

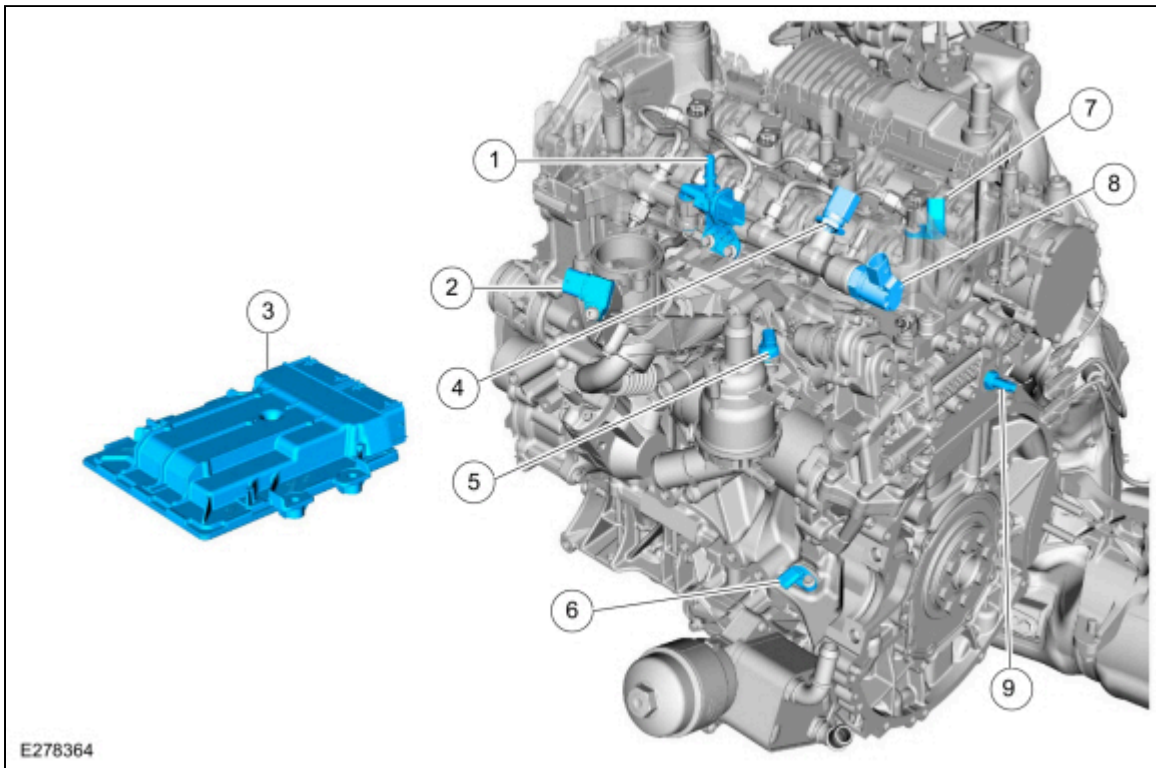
303-14B Electronic Engine Controls - 2.0L EcoBlue (132kW/180PS) (YM)/2.0L TDCi Bi-Turbo Diesel (156kW/213PS) (YN)/2.0L TDCi Diesel (96kW/130PS) (YL)/2.0L TDCi Diesel (125kW/170PS) (BC)

2020 Ranger

Description and Operation

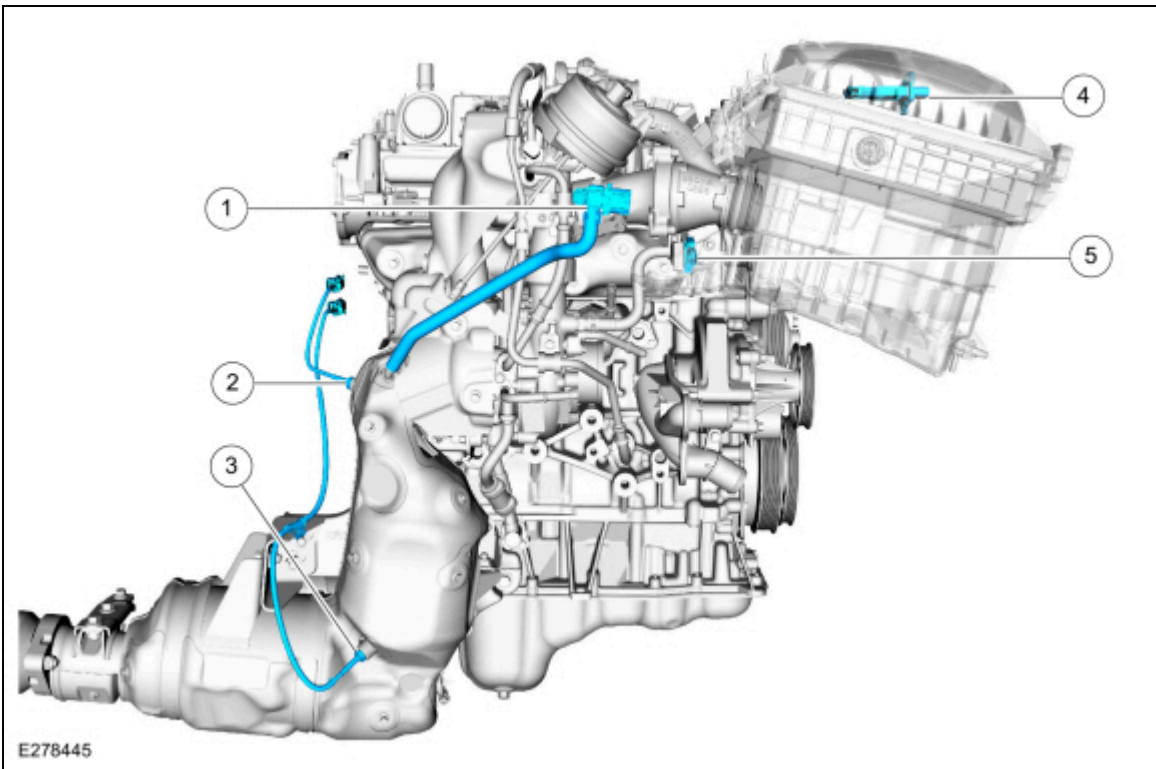
Procedure revision  
date: 01/11/2023

### Electronic Engine Controls - Component Location



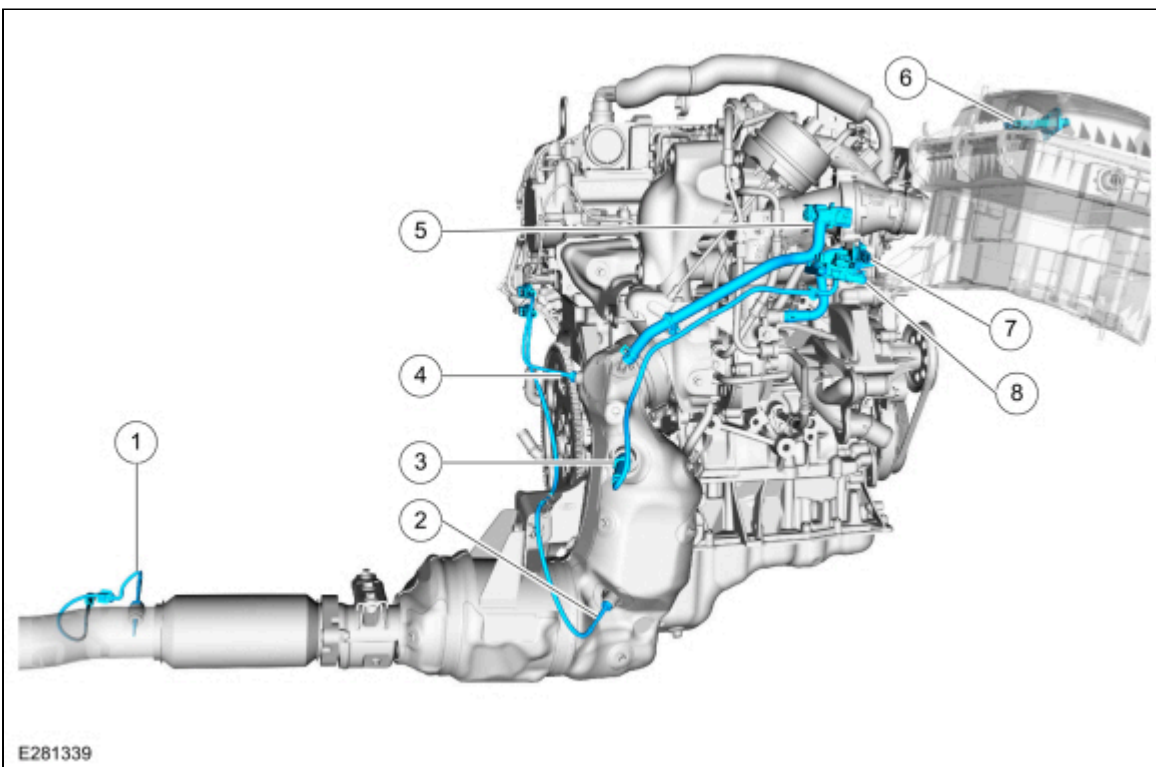
### Electronic Engine Controls - Left Side -TDCi Bi-Turbo Diesel and TDCi Diesel

Item	Description
1	Fuel temperature sensor
2	<u>MAPT</u> sensor
3	<u>PCM</u>
4	<u>FRP</u> sensor
5	<u>ECT</u> sensor
6	Engine Oil Level Sensor
7	<u>CMP</u> sensor
8	Fuel Pressure Control Valve
9	<u>CHT</u> sensor



**Electronic Engine Controls - Right side TDCi Bi-Turbo Diesel Euro V**

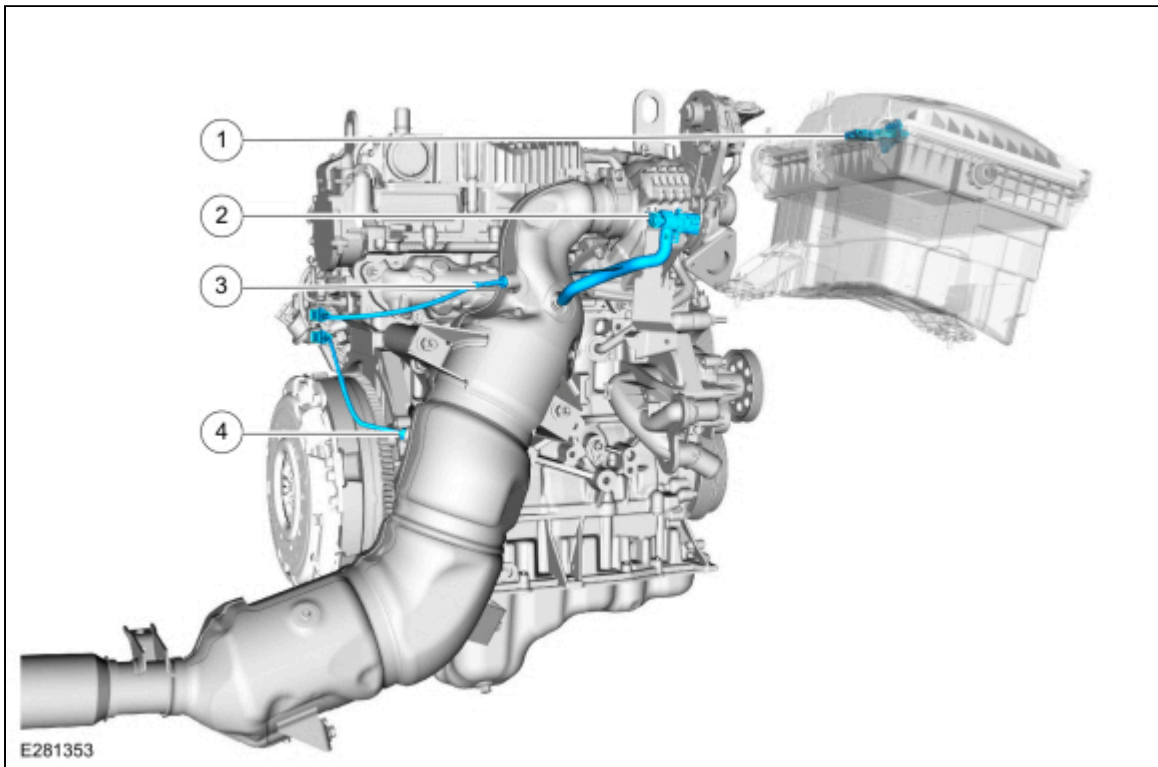
Item	Description
1	<u>DPF</u> differential pressure sensor
2	Exhaust Gas Temperature Sensor 12
3	Exhaust Gas Temperature Sensor 13
4	<u>MAF</u> sensor
5	Turbocharger Boost Pressure Sensor



**Electronic Engine Controls - Right side TDCi Bi-Turbo Diesel Euro IV**

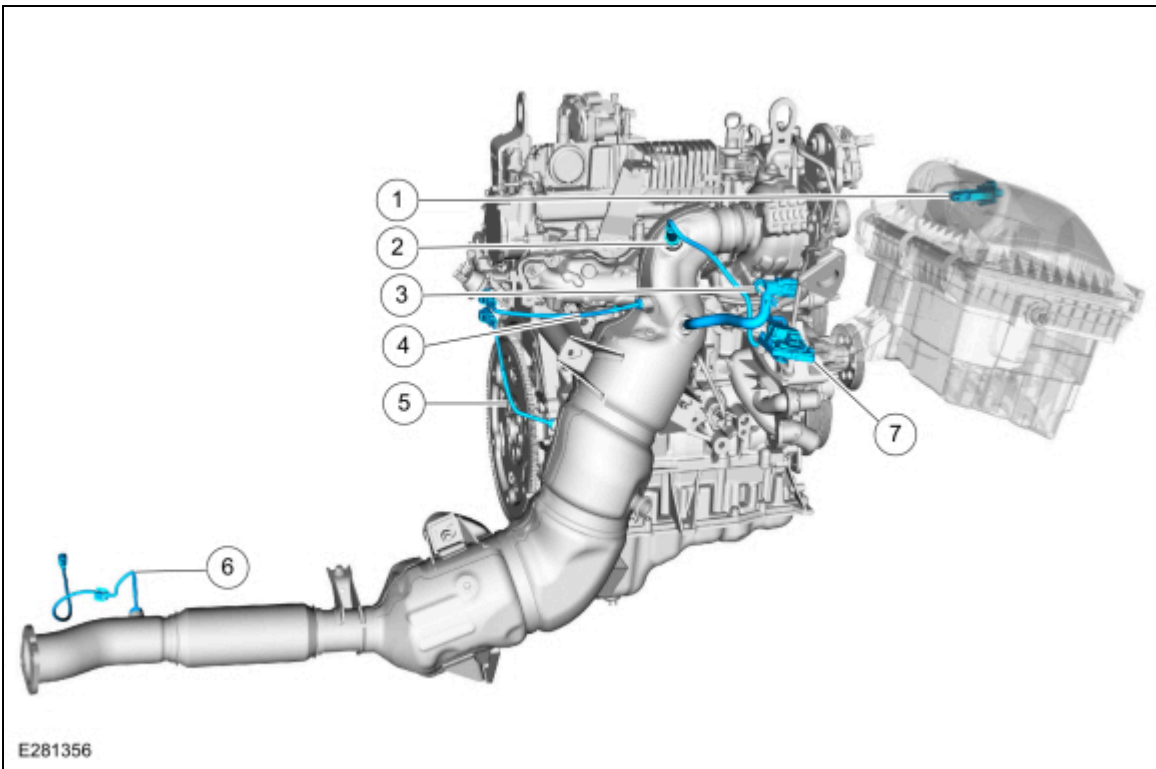
Item	Description
------	-------------

1	Exhaust Gas Temperature Sensor 14
2	Exhaust Gas Temperature Sensor 13
3	<u>NOX</u> sensor 11
4	Exhaust Gas Temperature Sensor 12
5	<u>DPF</u> differential pressure sensor
6	<u>MAF</u> sensor
7	Turbocharger Boost Pressure Sensor
8	<u>NOX11</u>



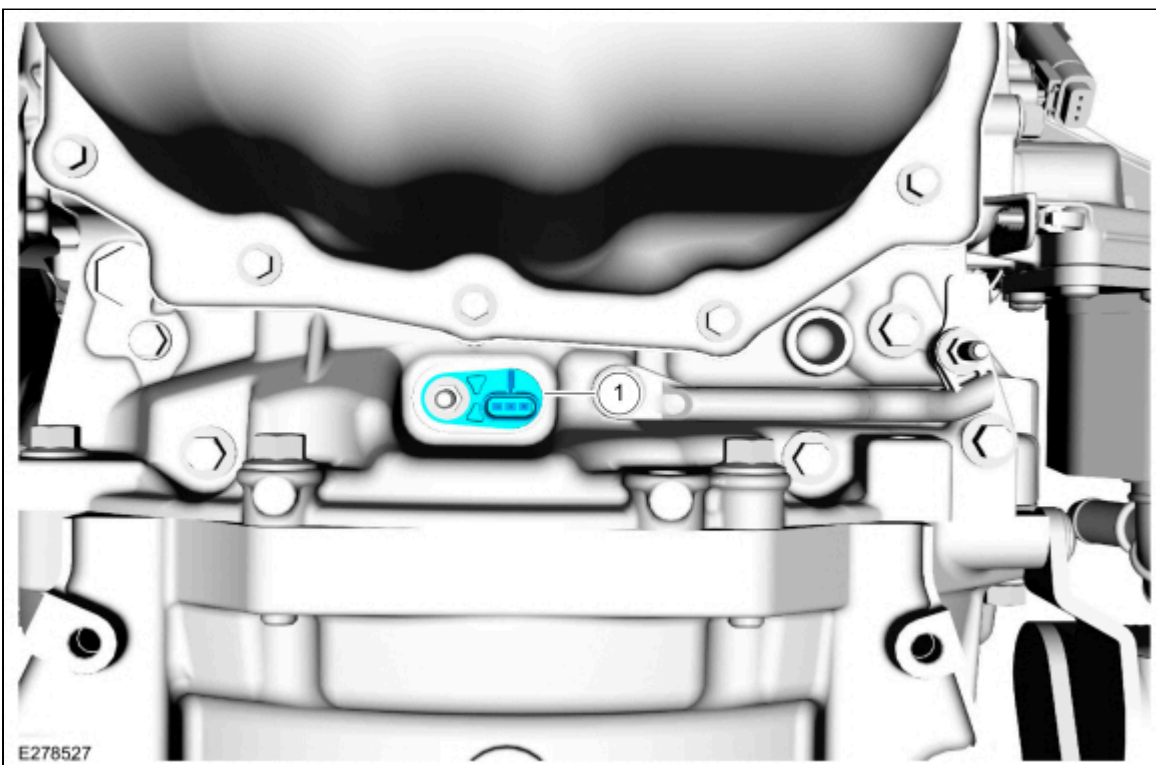
### Electronic Engine Controls - Right side TDCi Diesel Euro V

Item	Description
1	<u>MAF</u> sensor
2	<u>DPF</u> differential pressure sensor
3	Exhaust Gas Temperature Sensor 12
4	Exhaust Gas Temperature Sensor 13



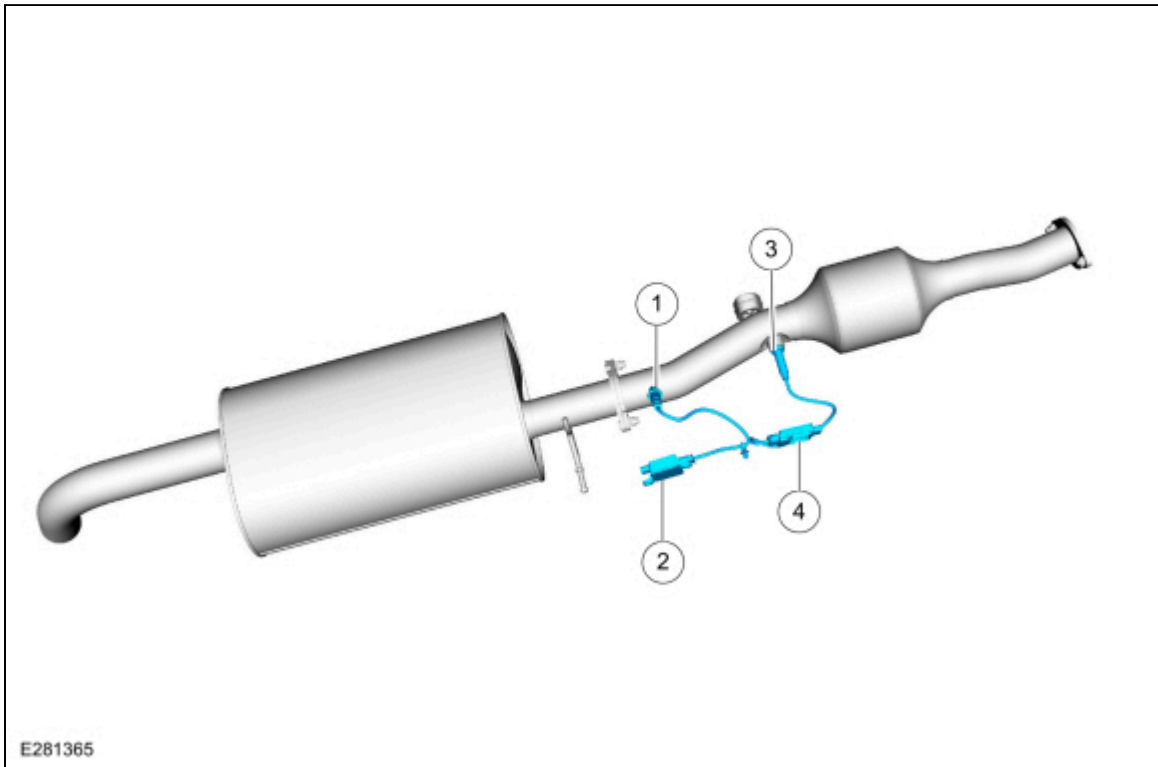
### Electronic Engine Controls - Right side TDCi Diesel Euro VI

Item	Description
1	<u>MAF</u> sensor
2	<u>NOX</u> sensor 11
3	<u>DPF</u> differential pressure sensor
4	Exhaust Gas Temperature Sensor 11
5	Exhaust Gas Temperature Sensor 12
6	Exhaust Gas Temperature Sensor 13
7	<u>NOX11</u> module



**Electronic Engine Controls - Bottom of Engine**

Item	Description
1	CKP sensor

**Electronic Engine Controls - Exhaust system**

Item	Description
1	NOX sensor 12
2	NOX12
3	Particulate Matter sensor
4	Particulate Matter sensor module

© Copyright 2024, Ford Motor Company.