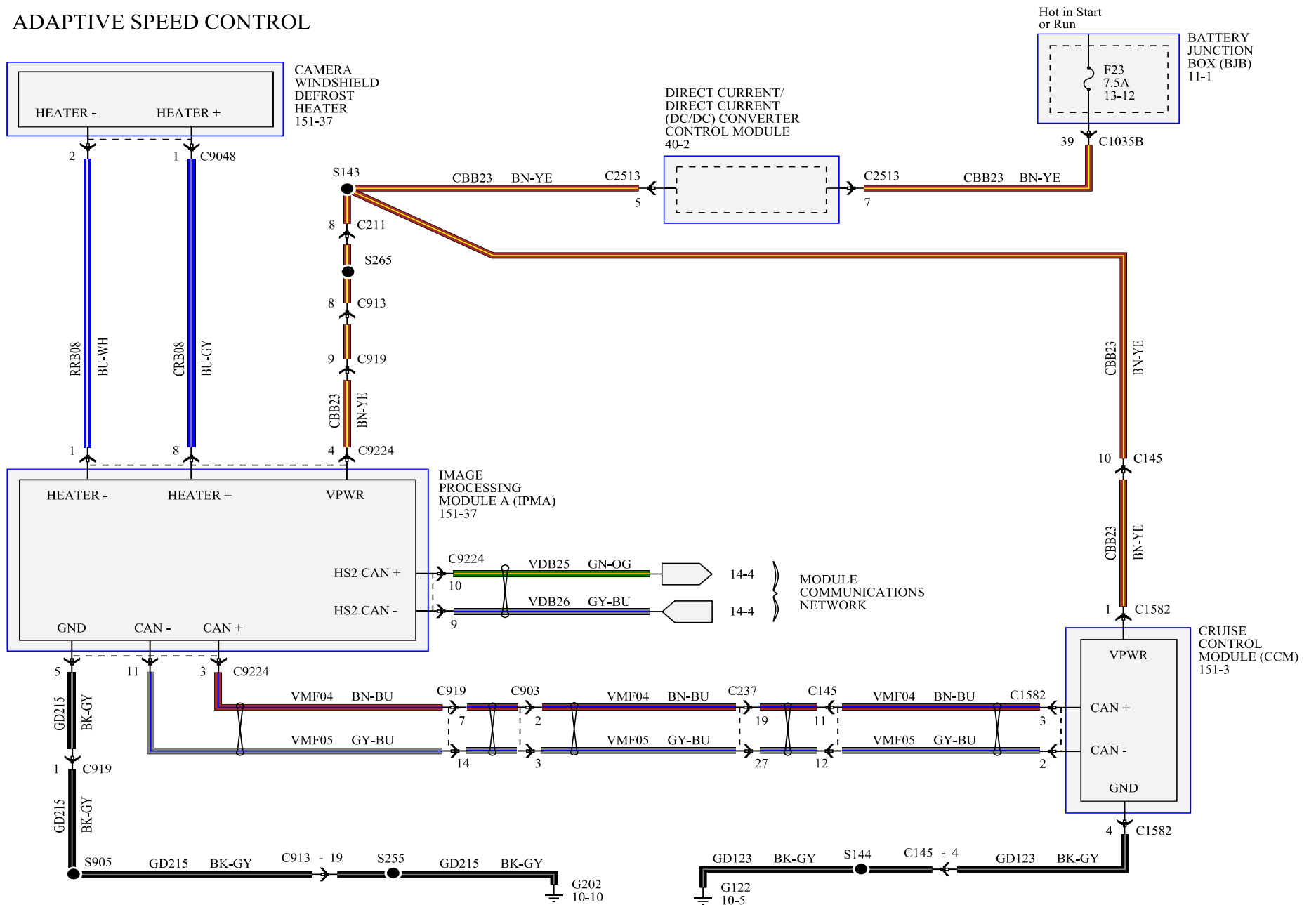
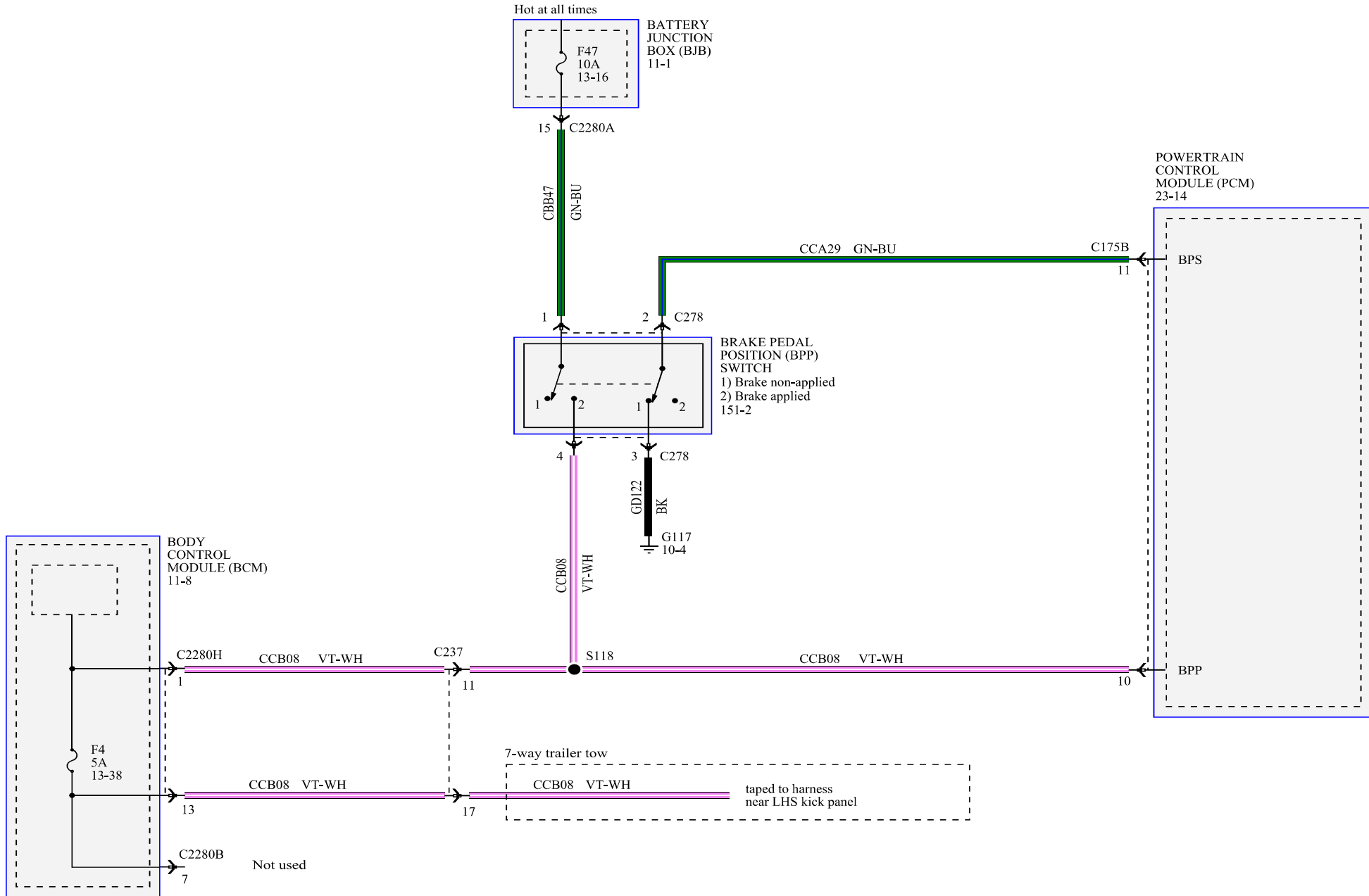
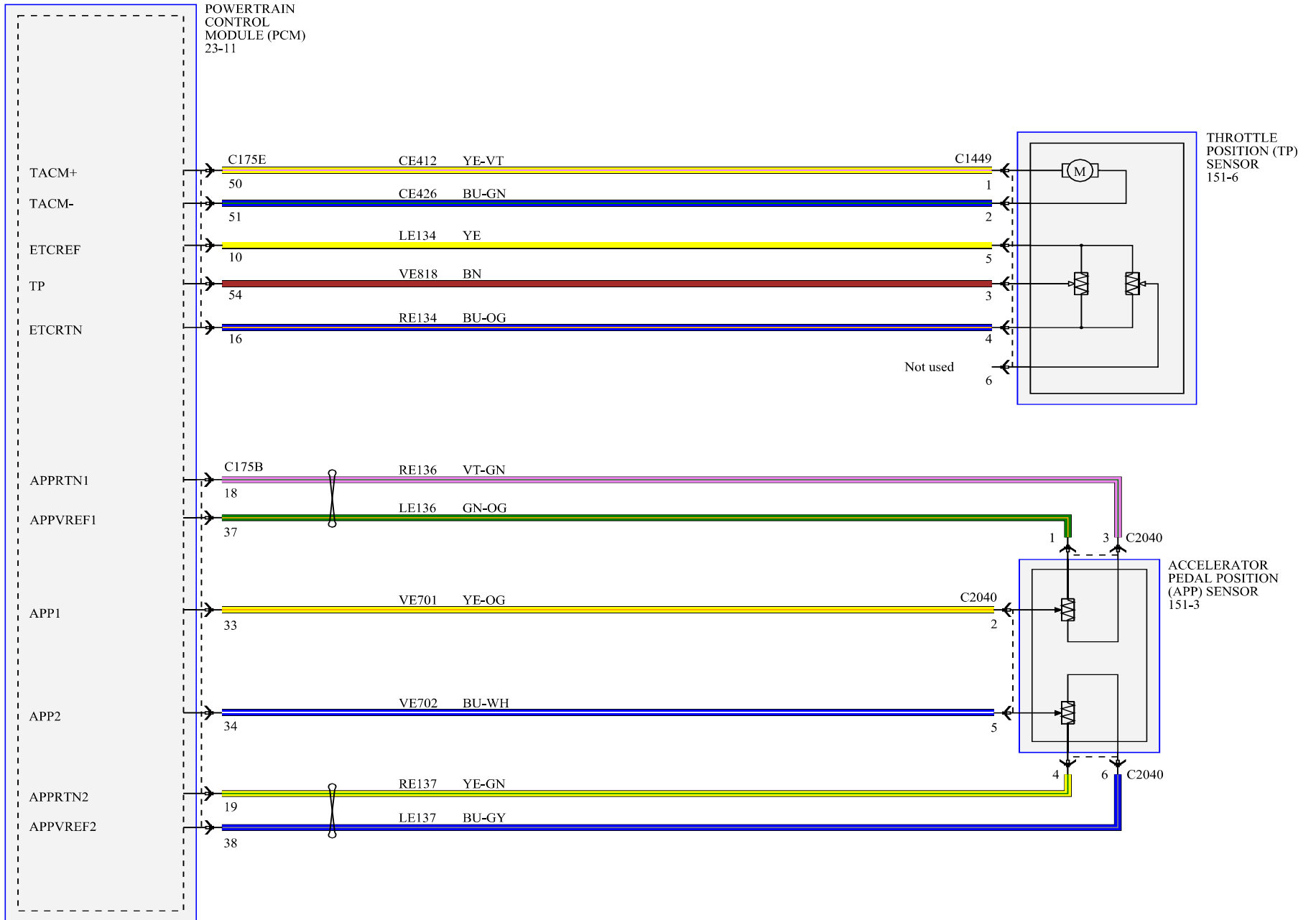


ADAPTIVE SPEED CONTROL







CLUSTER AND PANEL ILLUMINATION

71-4



VLN04

8

C2998

STEERING WHEEL SWITCH LH 151-17

ILLUM

ILLUM GND

SWS GND LEFT

A/D CHANNEL 1

A/D CHANNEL 2

A/D CHANNEL 3

2

5

6

7

1

C2998

RX101

LX103

LX104

LX105

RR102

RR102

4

C218B

CLOCKSPRING 151-13 151-16 151-17

9

7

8

10

8

C218A

GD284

BK-GY

G205 10-11

A/D RETURN

A/D CHANNEL 1

A/D CHANNEL 2

A/D CHANNEL 3

STEERING COLUMN CONTROL MODULE (SCCM) 151-13 151-16

