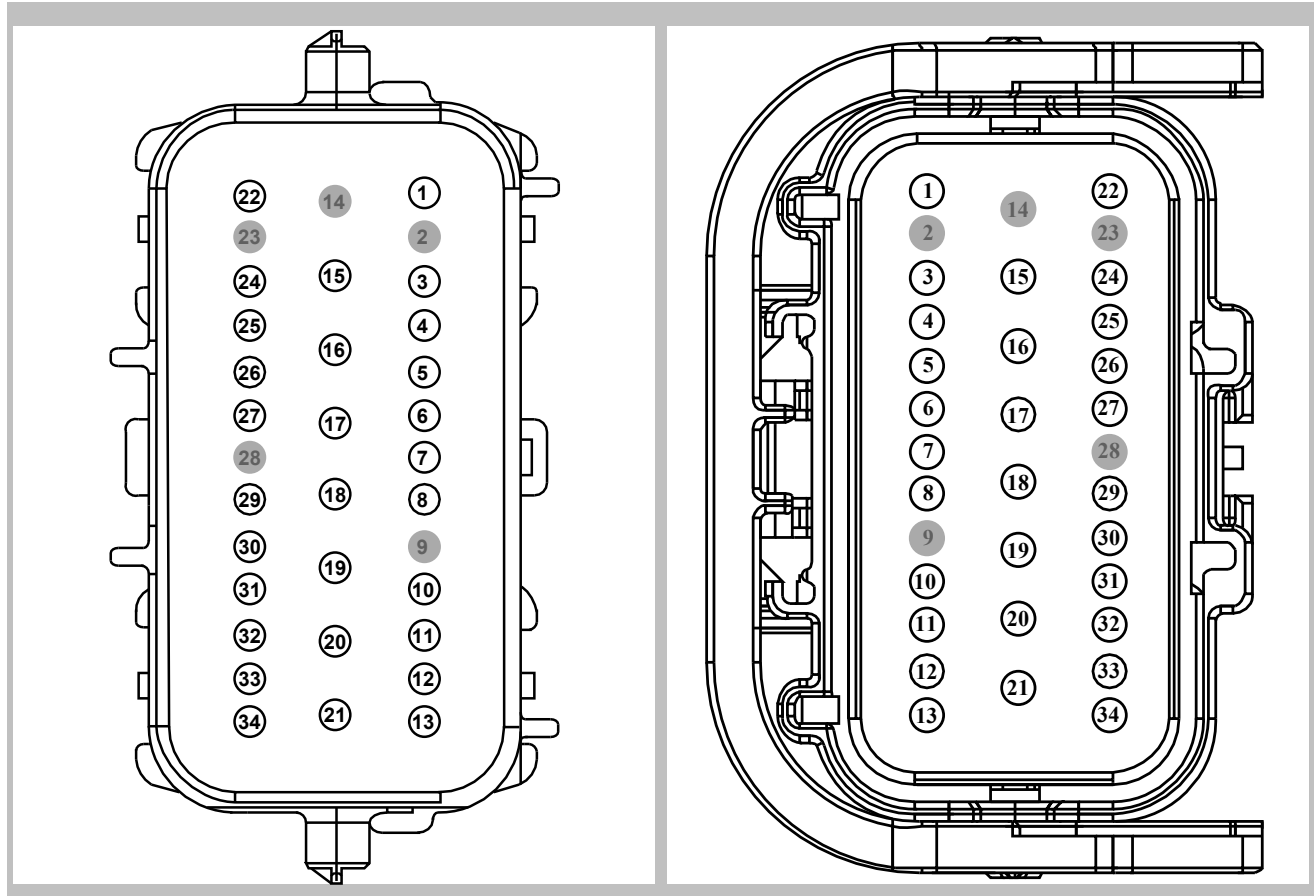


Inline:	Description	Color	Harness	Base Part #	Service Pigtail
C422	INLINE		14290 14405		See Below

MALE
Harness 14290

FEMALE
Harness 14405




Terminal Part Number	Service Part Number	Size
WIRE-END-TERM:-C14-A:1	Not Available	
WIRE-END-TERM:-C14-A:3	Not Available	
WIRE-END-TERM:-C14-A:4	Not Available	
WIRE-END-TERM:-C14-A:5	Not Available	
WIRE-END-TERM:-C14-A:6	Not Available	
WIRE-END-TERM:-C14-A:7	Not Available	
WIRE-END-TERM:-C14-A:8	Not Available	
WIRE-END-TERM:-C14-A:10	Not Available	

Terminal Part Number	Service Part Number	Size
WIRE-END-TERM:-C14-A:11	Not Available	
WIRE-END-TERM:-C14-A:12	Not Available	
WIRE-END-TERM:-C14-A:13	Not Available	
WIRE-END-TERM:-C14-A:15	Not Available	
WIRE-END-TERM:-C14-A:16	Not Available	
WIRE-END-TERM:-C14-A:17	Not Available	
WIRE-END-TERM:-C14-A:18	Not Available	
WIRE-END-TERM:-C14-A:19	Not Available	
WIRE-END-TERM:-C14-A:20	Not Available	
WIRE-END-TERM:-C14-A:21	Not Available	
WIRE-END-TERM:-C14-A:22	Not Available	
WIRE-END-TERM:-C14-A:24	Not Available	
WIRE-END-TERM:-C14-A:25	Not Available	
WIRE-END-TERM:-C14-A:26	Not Available	
WIRE-END-TERM:-C14-A:27	Not Available	
WIRE-END-TERM:-C14-A:29	Not Available	
WIRE-END-TERM:-C14-A:30	Not Available	
WIRE-END-TERM:-C14-A:31	Not Available	
WIRE-END-TERM:-C14-A:32	Not Available	
WIRE-END-TERM:-C14-A:33	Not Available	
WIRE-END-TERM:-C14-A:34	Not Available	
WIRE-END-TERM:-C41-A:1	Not Available	
WIRE-END-TERM:-C41-A:3	Not Available	
WIRE-END-TERM:-C41-A:4	Not Available	
WIRE-END-TERM:-C41-A:5	Not Available	
WIRE-END-TERM:-C41-A:6	Not Available	
WIRE-END-TERM:-C41-A:7	Not Available	
WIRE-END-TERM:-C41-A:8	Not Available	
WIRE-END-TERM:-C41-A:10	Not Available	

Terminal Part Number	Service Part Number	Size
WIRE-END-TERM:-C41-A:11	Not Available	
WIRE-END-TERM:-C41-A:12	Not Available	
WIRE-END-TERM:-C41-A:13	Not Available	
WIRE-END-TERM:-C41-A:15	Not Available	
WIRE-END-TERM:-C41-A:16	Not Available	
WIRE-END-TERM:-C41-A:17	Not Available	
WIRE-END-TERM:-C41-A:18	Not Available	
WIRE-END-TERM:-C41-A:19	Not Available	
WIRE-END-TERM:-C41-A:20	Not Available	
WIRE-END-TERM:-C41-A:21	Not Available	
WIRE-END-TERM:-C41-A:22	Not Available	
WIRE-END-TERM:-C41-A:24	Not Available	
WIRE-END-TERM:-C41-A:25	Not Available	
WIRE-END-TERM:-C41-A:26	Not Available	
WIRE-END-TERM:-C41-A:27	Not Available	
WIRE-END-TERM:-C41-A:29	Not Available	
WIRE-END-TERM:-C41-A:30	Not Available	
WIRE-END-TERM:-C41-A:31	Not Available	
WIRE-END-TERM:-C41-A:32	Not Available	
WIRE-END-TERM:-C41-A:33	Not Available	
WIRE-END-TERM:-C41-A:34	Not Available	

Pin	Circuit	Gauge	Qualifier	Terminal Part Number	Pin	Circuit	Gauge	Qualifier	Terminal Part Number
1	CLS09 (WH-OG)	20		WIRE-END-TERM:-C14-A:1	1	CLS09 (WH-OG)	20		WIRE-END-TERM:-C41-A:1
2	*	*		N/A	2	*	*		N/A
3	VMP14 (WH-OG)	20		WIRE-END-TERM:-C14-A:3	3	VMP14 (WH-OG)	20		WIRE-END-TERM:-C41-A:3
4	VMP16 (YE-GY)	20		WIRE-END-TERM:-C14-A:4	4	VMP16 (YE-GY)	20		WIRE-END-TERM:-C41-A:4
5	VMP17 (YE-OG)	20		WIRE-END-TERM:-C14-A:5	5	VMP17 (YE-OG)	20		WIRE-END-TERM:-C41-A:5
6	RMP07 (GN-WH)	20		WIRE-END-TERM:-C14-A:6	6	RMP07 (GN-WH)	20		WIRE-END-TERM:-C41-A:6
7	CLS27 (GN-OG)	20		WIRE-END-TERM:-C14-A:7	7	CLS27 (GN-OG)	20		WIRE-END-TERM:-C41-A:7
8	LMP07 (BU-WH)	20		WIRE-END-TERM:-C14-A:8	8	LMP07 (BU-WH)	20		WIRE-END-TERM:-C41-A:8
9	*	*		N/A	9	*	*		N/A
10	VMP15 (YE-GN)	20		WIRE-END-TERM:-C14-A:10	10	VMP15 (YE-GN)	20		WIRE-END-TERM:-C41-A:10
11	VMP19 (WH-GN)	20		WIRE-END-TERM:-C14-A:11	11	VMP19 (WH-GN)	20		WIRE-END-TERM:-C41-A:11
12	RMP19 (BU-GY)	20		WIRE-END-TERM:-C14-A:12	12	RMP19 (BU-GY)	20		WIRE-END-TERM:-C41-A:12
13	RMP51 (BK)	20		WIRE-END-TERM:-C14-A:13	13	RMP51 (BK)	20		WIRE-END-TERM:-C41-A:13
14	*	*		N/A	14	*	*		N/A
15	CAT28 (YE)	14		WIRE-END-TERM:-C14-A:15	15	CAT28 (YE)	14		WIRE-END-TERM:-C41-A:15
16	CAT11 (BN)	14		WIRE-END-TERM:-C14-A:16	16	CAT11 (BN)	14		WIRE-END-TERM:-C41-A:16
16	CAT11 (BN-YE)	10		WIRE-END-TERM:-C14-A:16	17	CAT29 (GN)	14		WIRE-END-TERM:-C41-A:17
17	CAT29 (GN)	14		WIRE-END-TERM:-C14-A:17	18	CAT19 (BU)	10		WIRE-END-TERM:-C41-A:18
18	CAT19 (BU)	10		WIRE-END-TERM:-C14-A:18	19	CAT14 (OG)	12		WIRE-END-TERM:-C41-A:19
19	CAT14 (OG)	12		WIRE-END-TERM:-C14-A:19	20	GD125 (BK)	14		WIRE-END-TERM:-C41-A:20
20	GD125 (BK)	12		WIRE-END-TERM:-C14-A:20	21	CAT03 (GY-BN)	14		WIRE-END-TERM:-C41-A:21
21	CAT03 (GY-BN)	14		WIRE-END-TERM:-C14-A:21	22	CLS44 (VT-BN)	18		WIRE-END-TERM:-C41-A:22
22	CLS44 (VT-BN)	18		WIRE-END-TERM:-C14-A:22	23	*	*		N/A
23	*	*		N/A	24	CLS54 (BU-OG)	20		WIRE-END-TERM:-C41-A:24
24	CLS54 (BU-OG)	20		WIRE-END-TERM:-C14-A:24	25	CLS10 (GN-BN)	14		WIRE-END-TERM:-C41-A:25
25	CLS10 (GN-BN)	18		WIRE-END-TERM:-C14-A:25	25	CLS10 (GN-BN)	18		WIRE-END-TERM:-C41-A:25
26	CLS55 (GN-BU)	20		WIRE-END-TERM:-C14-A:26	26	CLS55 (GN-BU)	20		WIRE-END-TERM:-C41-A:26
27	CLS08 (VT-GN)	20		WIRE-END-TERM:-C14-A:27	27	CLS08 (VT-GN)	20		WIRE-END-TERM:-C41-A:27
28	*	*		N/A	28	*	*		N/A
29	CLS44 (VT-BN)	18		WIRE-END-TERM:-C14-A:29	29	CLS44 (VT-BN)	18		WIRE-END-TERM:-C41-A:29

30	CLS23 (GY-OG)	20		WIRE-END-TERM:-C14-A:30	30	CLS23 (GY-OG)	20		WIRE-END-TERM:-C41-A:30
31	VDB06 (GY-OG)	20		WIRE-END-TERM:-C14-A:31	31	VDB06 (GY-OG)	20		WIRE-END-TERM:-C41-A:31
32	VDB07 (VT-OG)	20		WIRE-END-TERM:-C14-A:32	32	VDB07 (VT-OG)	20		WIRE-END-TERM:-C41-A:32
33	VDB06 (GY-OG)	20		WIRE-END-TERM:-C14-A:33	33	VDB06 (GY-OG)	20		WIRE-END-TERM:-C41-A:33
34	VDB07 (VT-OG)	20		WIRE-END-TERM:-C14-A:34	34	VDB07 (VT-OG)	20		WIRE-END-TERM:-C41-A:34

Available Pigtail Kits	
<p>Pigtail Kit Part Number WPT-1606</p> 	<p>Service Part Number: KUZZ-14S411-SA Gauge:14 16 Pin material:Tin & Silver Cavities:34</p> <p>Vehicle Uses:</p> <ul style="list-style-type: none"> • Connector - Inline
<p>Pigtail Kit Part Number WPT-1607</p> 	<p>Service Part Number: KUZZ-14S411-TA Gauge:14 16 Pin material:Tin (Greased) & Silver Cavities:34</p> <p>Vehicle Uses:</p> <ul style="list-style-type: none"> • Connector - Inline