

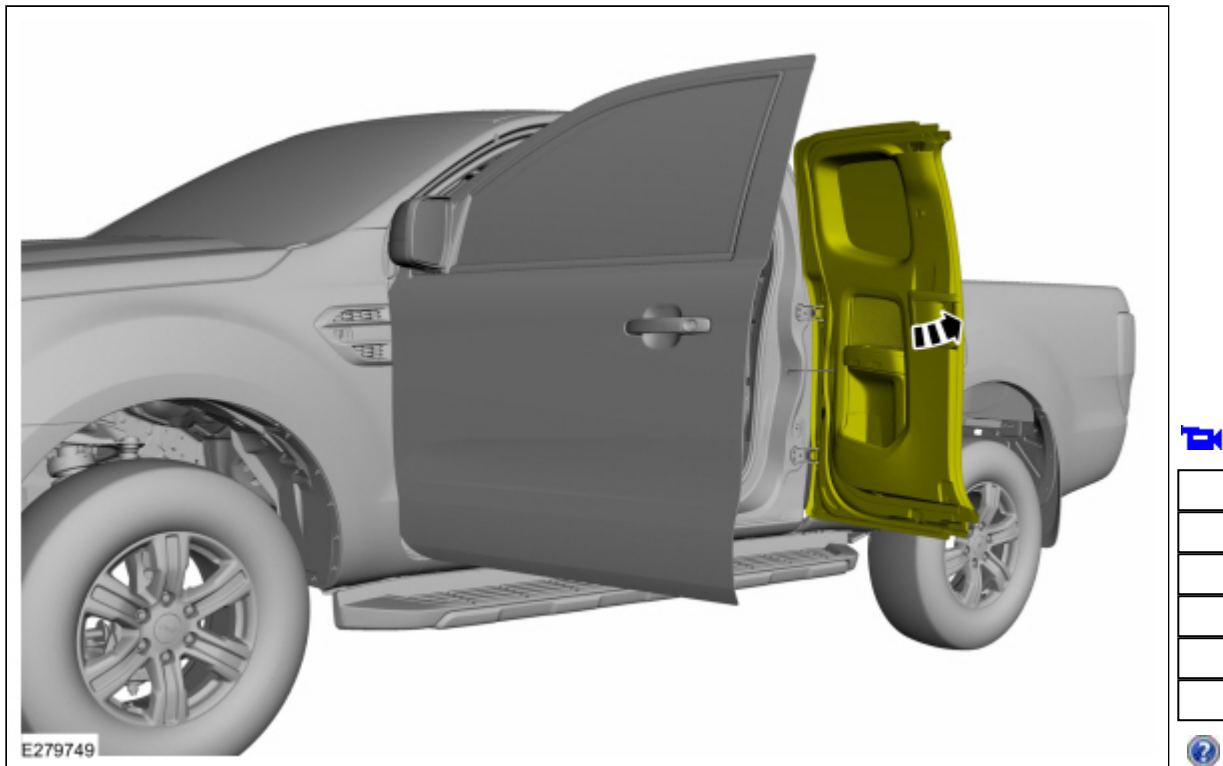
### Rear Door - SuperCab

#### Removal

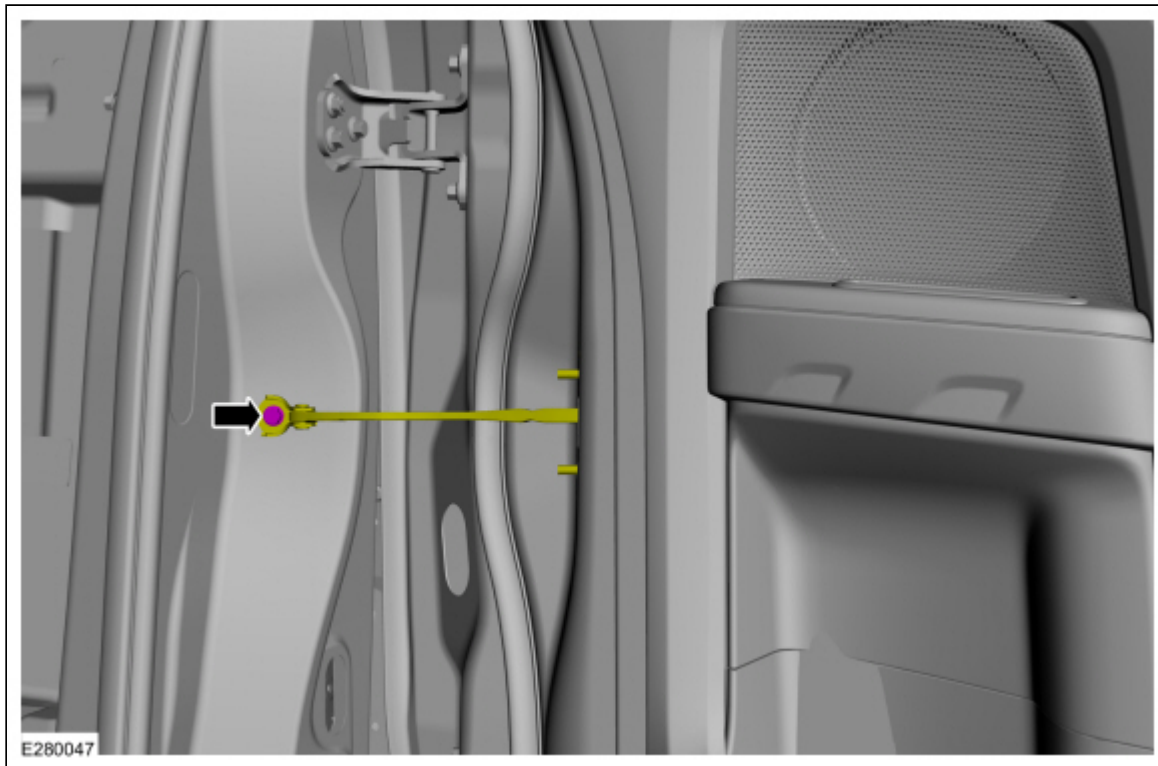
**NOTE:** Removal steps in this procedure may contain installation details.

**NOTE:** LH side shown, RH side similar.

1. Open the rear door.



2. Remove the check arm bolt.  
*Torque:* 124 lb.in (14 Nm)

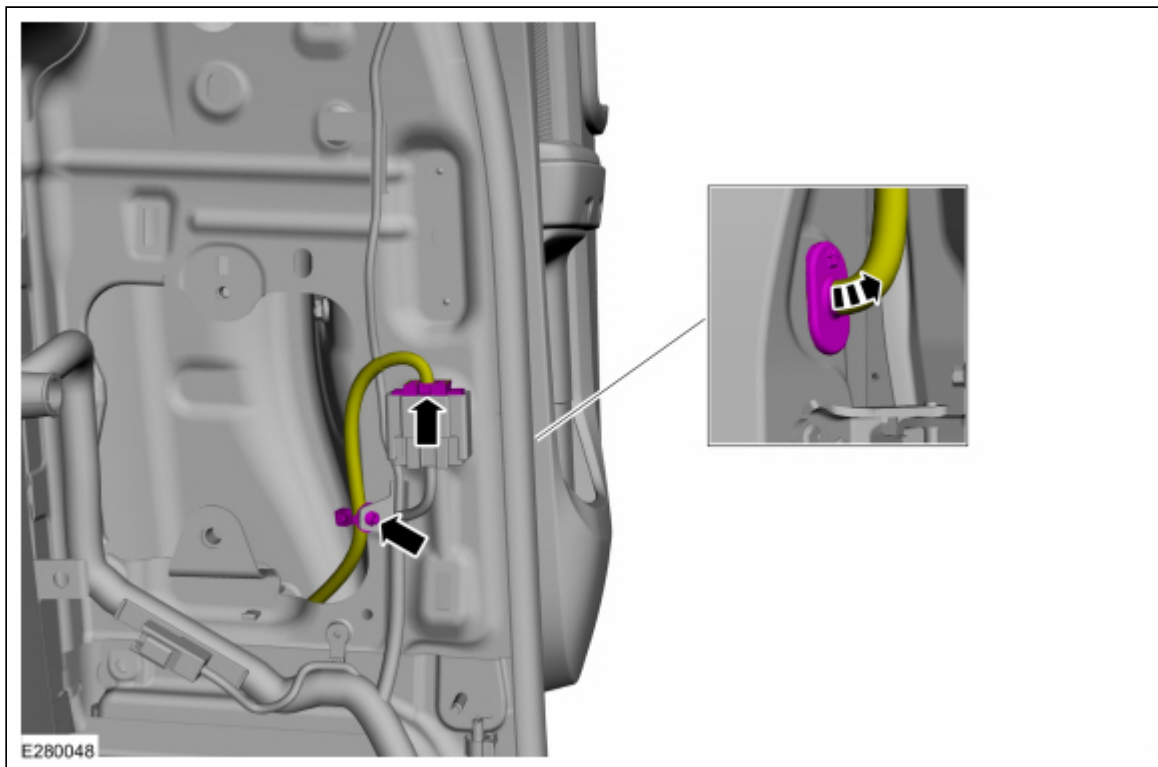


E280047



3. Remove the lower C-pillar trim panel.

- 4.
- Detach the wire harness retainer and disconnect the electrical connector.
  - Route the wiring harness through the body.

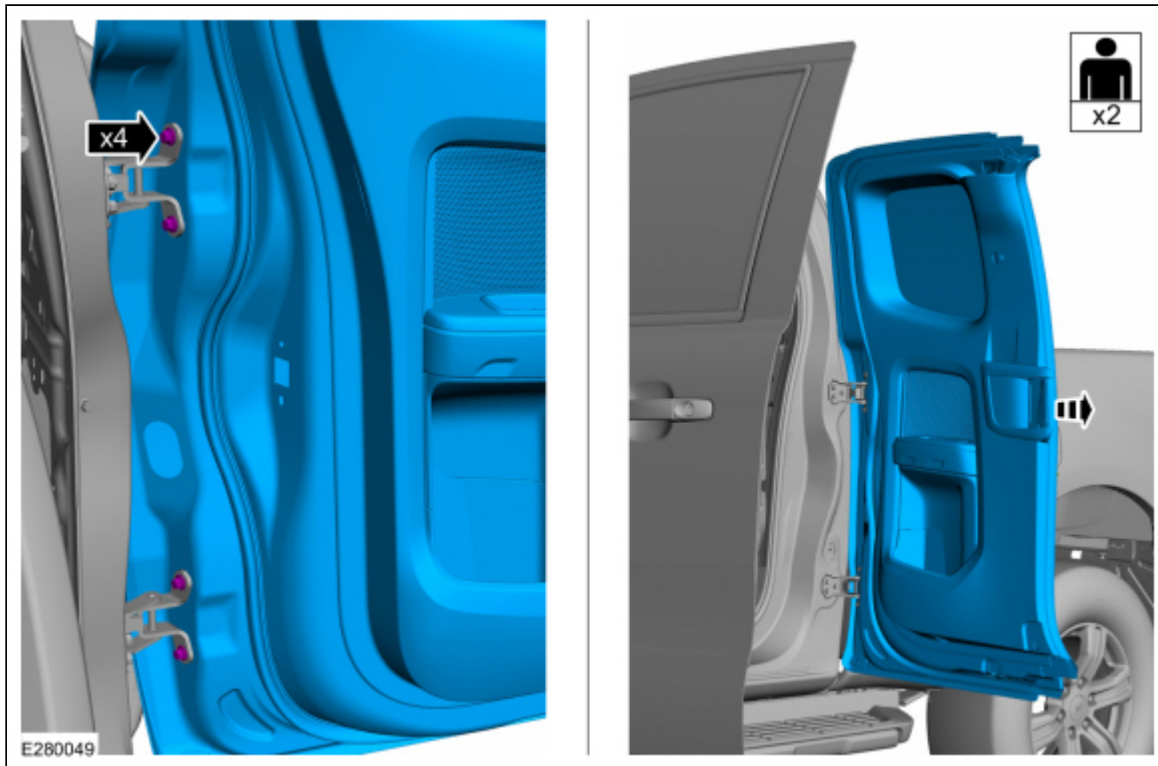


E280048



5. **NOTE:** This step requires the aid of another technician.

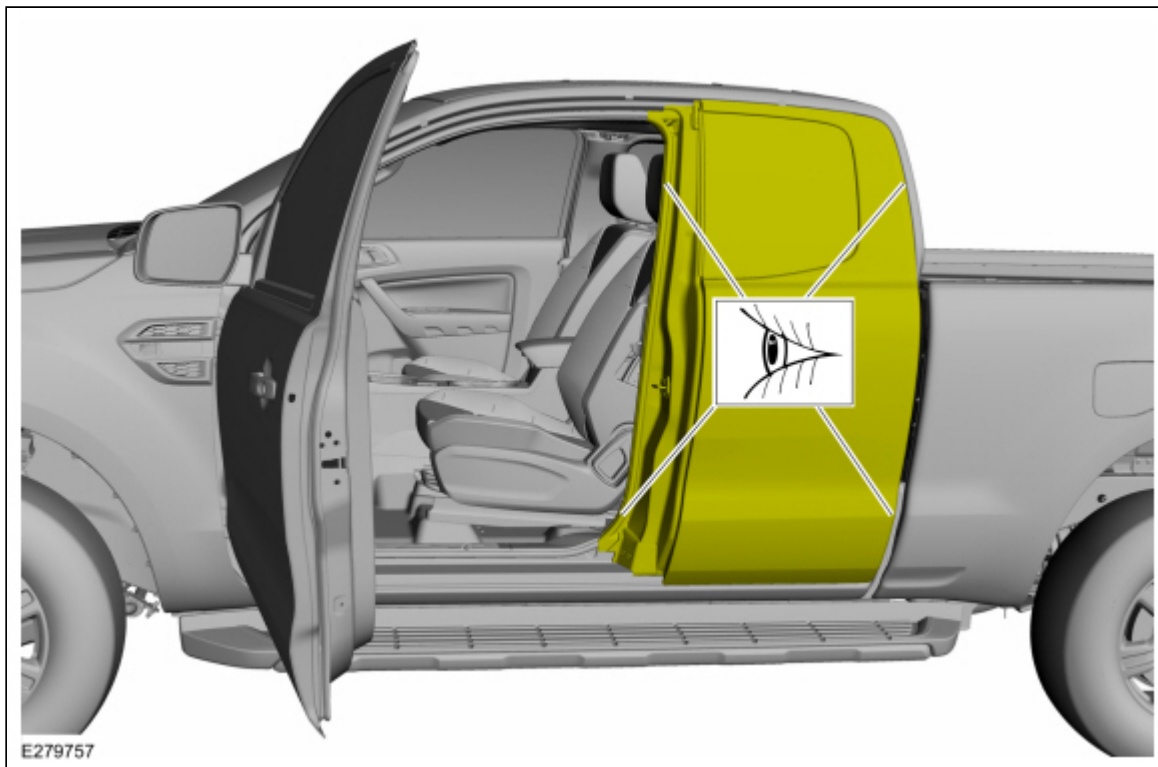
- Remove the door hinge bolts.  
*Torque:* 18 lb.ft (25 Nm)
- Remove the rear door.



E280049

**Installation**

1. To install, reverse the removal procedure.
2. Check the body-to-rear door dimensions. Align the door as necessary.  
 Refer to: [Rear Door Alignment - SuperCab \(501-03 Body Closures, General Procedures\)](#).



E279757

