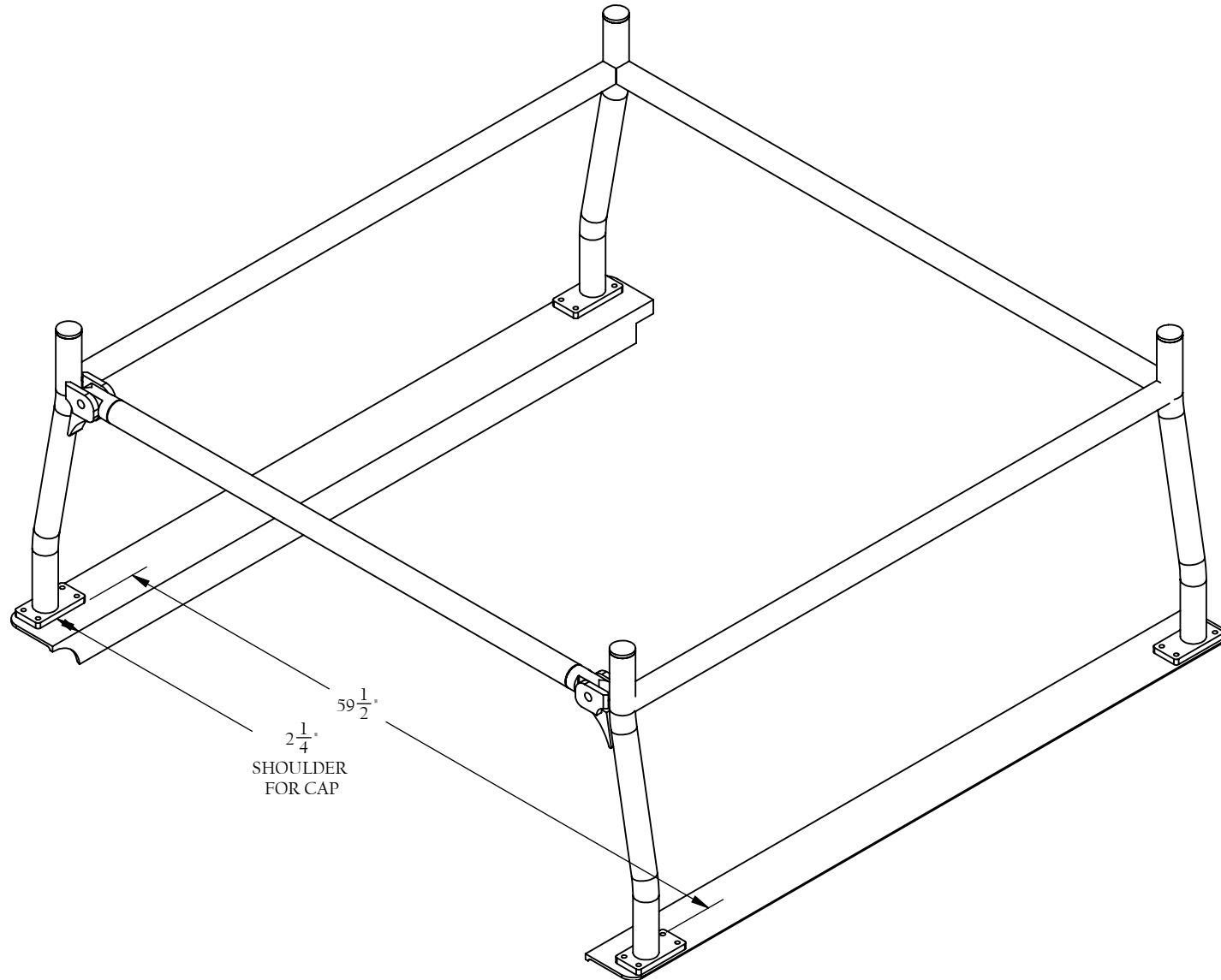
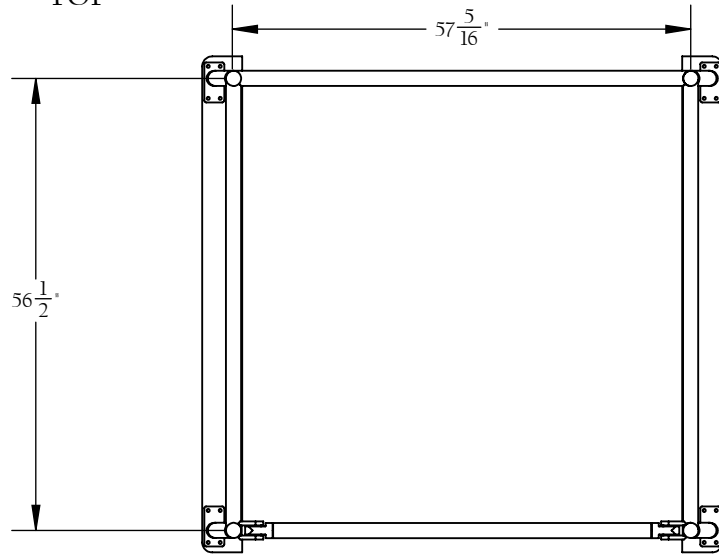


NOTE:  
SCH 80  $\phi$ 1.5" 6061 ALUMINUM

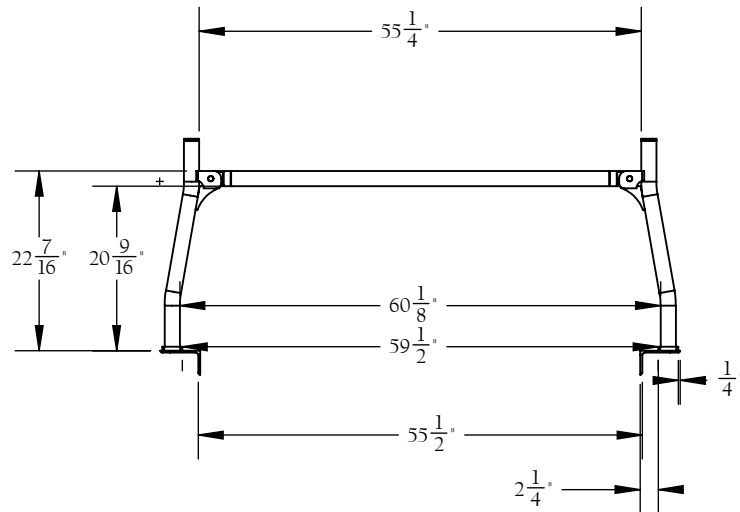
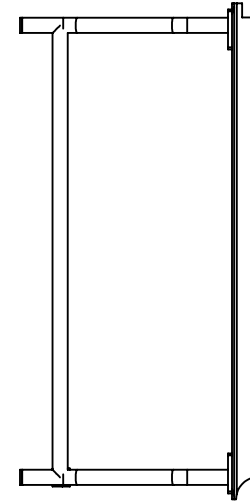


DWG. NO.  
2019 FORD RANGER HALF RACK

TOP

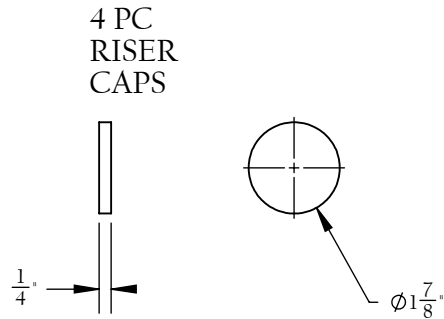
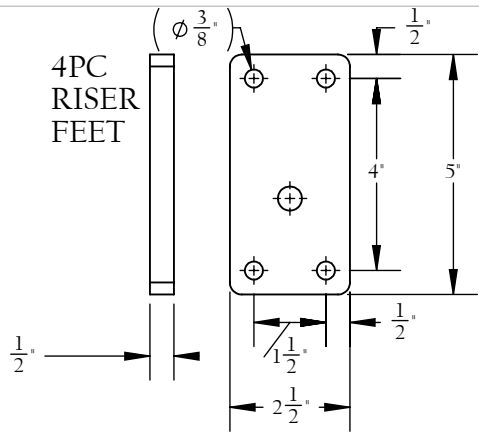


RIGHT

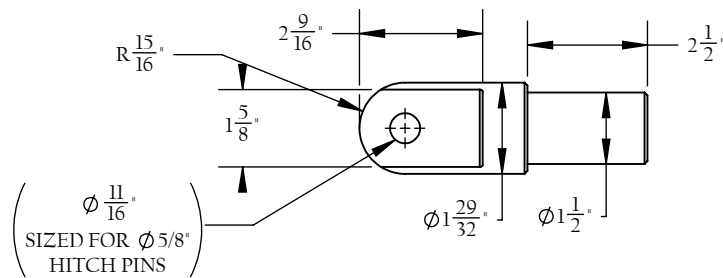
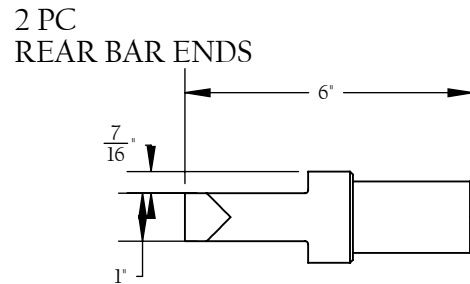
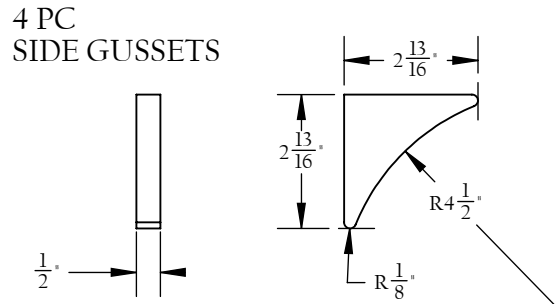
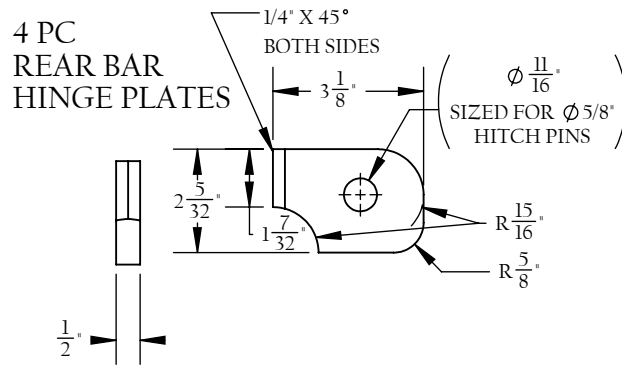
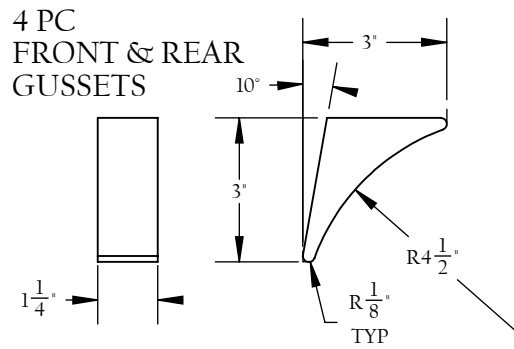
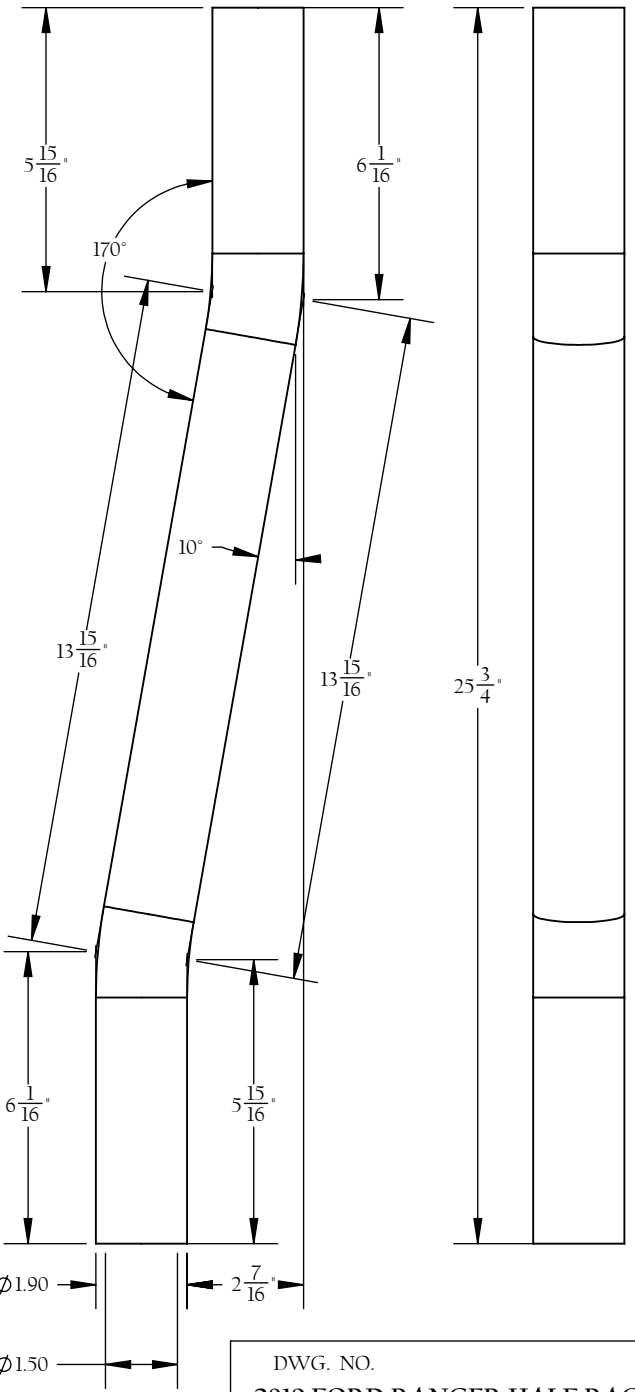


BACK

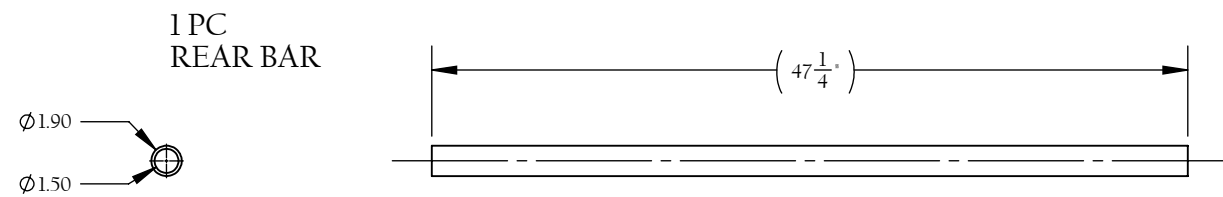
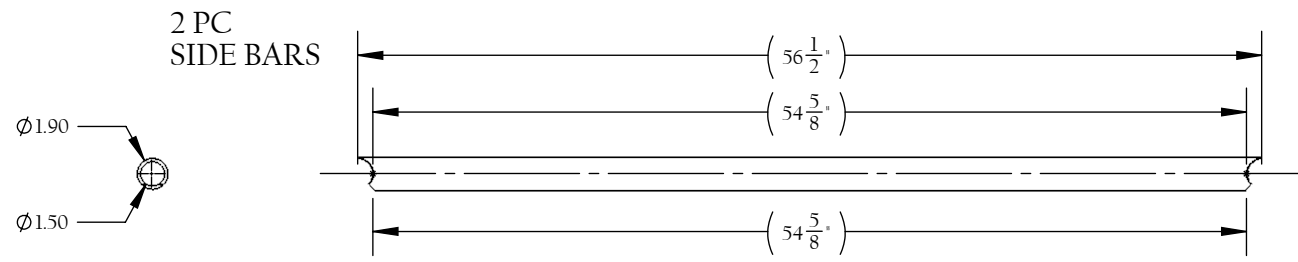
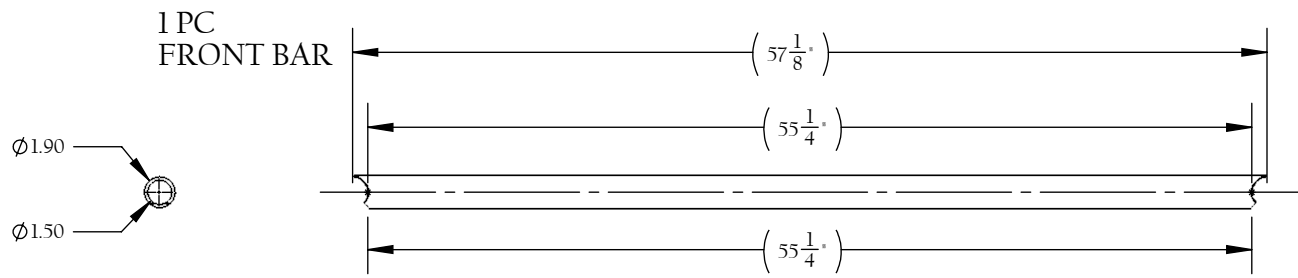
DWG. NO.  
2019 FORD RANGER HALF RACK



**4PC RISERS**



DWG. NO.  
2019 FORD RANGER HALF RACK



DWG. NO.  
2019 FORD RANGER HALF RACK