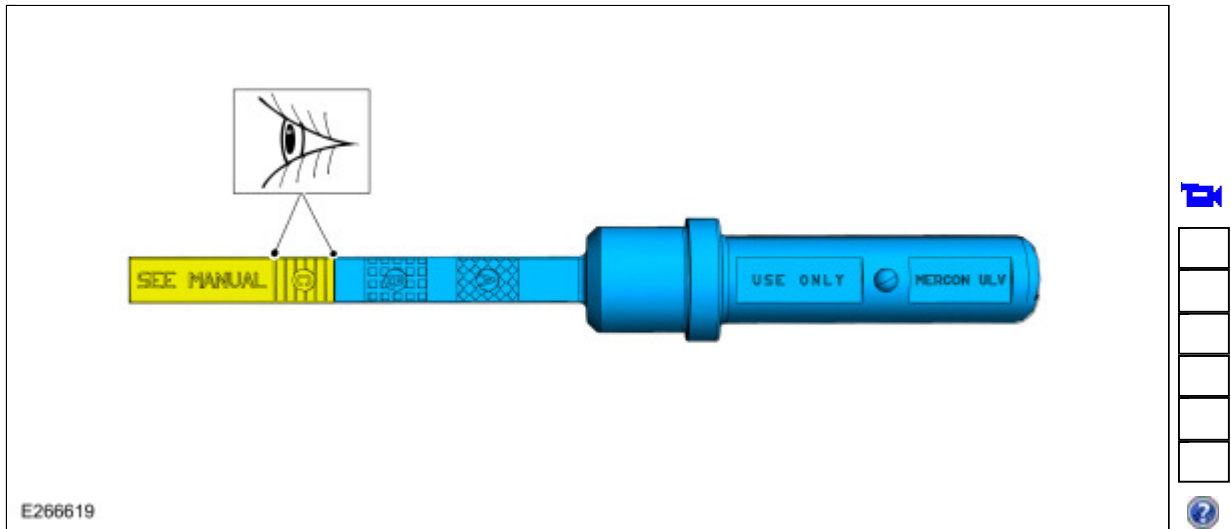


Fluid Level Indicators with Letters A, B and C

6. **NOTE:** The transmission fluid level indicator uses A, B and C to indicate the fluid level. The different areas are for different vehicle models. The correct transmission fluid level is within the C area on the transmission fluid level indicator.

NOTE: Do not overfill the transmission.

Using the scan tool verify the transmission fluid temperature is between 96°C - 101°C (206°F - 215°F). The transmission fluid level must be within the C area on the transmission fluid level indicator.

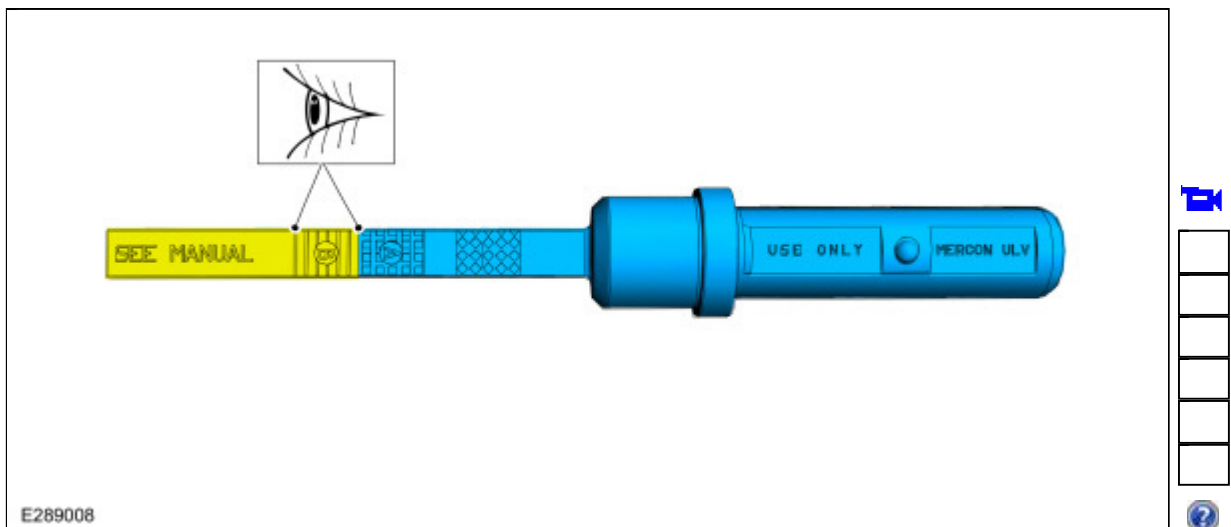


Fluid Level Indicators with Letters A and B

7. **NOTE:** The transmission fluid level indicator uses A and B to indicate the fluid level. The different areas are for different vehicle models. The correct transmission fluid level is within the B area on the transmission fluid level indicator.

NOTE: Do not overfill the transmission.

Using the scan tool verify the transmission fluid temperature is between 96°C - 101°C (206°F - 215°F). The transmission fluid level must be within the B area on the transmission fluid level indicator.



Fluid Level Indicators with Numbers

8. **NOTE:** The transmission fluid level indicator uses 1 through 6 to indicate the fluid level. The different numbers are for different vehicle models. Use the area between 5 and 6 when checking the transmission fluid level. The correct transmission fluid level is between 5 and 6 on the transmission fluid level indicator.

NOTE: Do not overfill the transmission.

Using the scan tool verify the transmission fluid temperature is between 96°C - 101°C (206°F - 215°F). The transmission fluid level must be between 5 and 6 on the transmission fluid level indicator.

